



Pekabex System[®]

Residential Buildings



Technical Details

HEAD OFFICE
ul. Szarych Szeregów 27
60-462 Poznań

T: +48 61 821 04 00

Table of Contents

I. Preliminary Notes		4
II. Basic Details		5
Joint types		
wall joining – horizontal section	U01_A	6
wall joining – vertical section	U01_B	7
floor slab support with HC slabs	U01_C	8
floor slab parallel joint with HC slabs	U01_D	9
floor slab support with filigree slab	U01_E	10
III. Interior Details		11
Interior prefabricated wall joints		
single-layer walls/three-layer walls end-to-end	W01_A	12
single-layer walls/three-layer walls perpendicular	W01_B	13
single-layer walls/three-layer walls corner	W01_C	14
single-layer walls/three-layer wall perpendicular	W01_D	15
Joining a prefabricated interior wall to the plasterboard partition wall		
end-to-end	W02_A	16
perpendicular	W02_B	17
corner	W02_C	18
Joining an interior pre-fabricated wall to the HC floor slab		
supported on one side	W03_A	19
supported on two sides	W03_B	20
adjoining on one side	W03_C	21
adjoining on two sides	W03_D	22
Joining an interior pre-fabricated wall to the solid floor slab		
supported on one side	W04_A	23
supported on two sides	W04_B	24
adjoining on two sides	W04_C	25
Joining an interior pre-fabricated wall to the reinforced filigree floor slab		
supported on one side	W05_A	26
supported on two sides	W05_B	27
adjoining on two sides	W05_C	28
Joining an interior pre-fabricated wall to the prestressed filigree floor slab		
supported on one side	W06_A	29
supported on two sides	W06_B	30
adjoining on two sides	W06_C	31

Joining the partition wall to the floor slab

plasterboard wall with prestressed floor slab	W07_A	32
plasterboard wall with reinforced floor slab	W07_B	33
masonry wall with prestressed floor slab	W07_C	34
masonry wall with reinforced floor slab	W07_D	35
masonry wall with HC floor slab	W07_E	36

Joining of staircase elements

interior pre-fabricated wall with a landing	W08_A	37
stair flights with a landing	W08_B	38
stair flights with a floor slab	W08_C	39

IV. Exterior Details

40

Exterior prefabricated wall joints

exterior three-layer walls end-to-end	Z01_A	41
exterior three-layer and interior single-layer perpendicular	Z01_B	42
exterior double-layer and interior single-layer perpendicular	Z01_C	43

Joining prefabricated exterior walls in the corner

three-layer walls perpendicular	Z02_A	44
double-layer walls perpendicular	Z02_B	45
double-layer walls at an acute angle	Z02_C	46

Joining an exterior pre-fabricated wall to the HC floor slab

single-layer wall with floor slab supported on one side	Z03_A	47
double-layer wall with floor slab adjoining on one side	Z03_B	48
three-layer wall with floor slab adjoining on one side	Z03_C	49

Joining an exterior pre-fabricated wall to the solid floor slab

single-layer wall with floor slab supported on one side	Z04_A	50
double-layer wall with floor slab supported on one side	Z04_B	51
three-layer wall with floor slab supported on one side	Z04_C	52

Joining an exterior pre-fabricated wall to the reinforced filigree floor slab

double-layer wall with floor slab supported on one side	Z05_A	53
double-layer wall with floor slab adjoining on one side	Z05_B	54

Joining an exterior pre-fabricated wall to the prestressed filigree floor slab

three-layer wall with floor slab supported on one side	Z06_A	55
three-layer wall with floor slab adjoining on one side	Z06_B	56

Joining a prefabricated exterior wall to balcony slab and floor slab

three-layer wall with supported floor slab	Z07_A	57
three-layer wall with adjoining floor slab	Z07_B	58
double-layer wall with supported floor slab	Z07_C	59
details of railing attachment to the balcony slab	Z07_D	60

Joining an exterior pre-fabricated wall to the exterior area without subterranean levels

three-layer wall	Z08_A	61
------------------	-------	----

Joining an exterior pre-fabricated wall to the exterior area with a subterranean level

single-layer wall	Z09_A	62
double-layer wall	Z09_B	63
three-layer wall	Z09_C	64

Joining the parapet to the roof

three-layer wall	Z10_A	65
------------------	-------	----

Joining the parapet to green roof slab

three-layer wall	Z11_A	66
------------------	-------	----

Joining a three-layer prefabricated exterior wall to a window

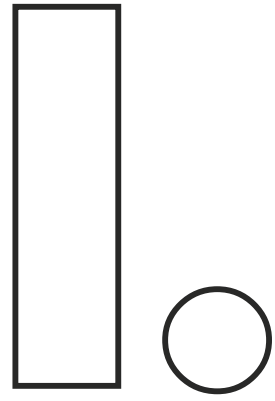
without shutters – vertical section view	Z12_A	67
without shutters – horizontal section view	Z12_B	68
with concealed shutters – vertical section view	Z12_C	69
with concealed shutters – horizontal section view	Z12_D	70

Joining a three-layer prefabricated exterior wall to window cavity closer

on ground floor	Z13_A	71
upstairs	Z13_B	72

revision: April 2020

All texts, drawings, photos and any other information as well as materials published in this brochure are protected by law, copyright and belong to Pekabex BET S.A. or have been used under relevant licenses. Any use of the brochure and the materials contained therein – including, but not limited to, copying, distribution, processing, sending without Pekabex BET S.A.'s consent is prohibited and is subject to liability under the applicable laws, in particular the Act of 4 February 1994 on copyright and related rights and the Act of 16 April 1993 on combating unfair competition.



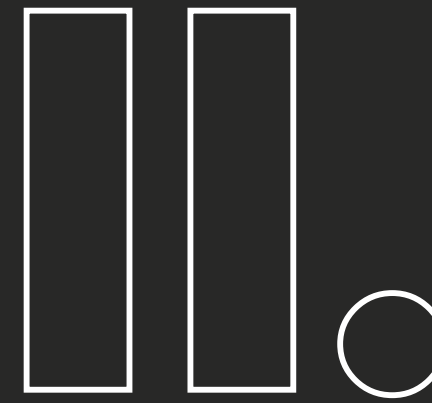
Preliminary Notes

This Catalogue has been created for designers and contractors who wish to familiarise themselves with the general principles of joining Pekabex System prefabricated elements together. The technical drawings are divided into three groups:

- basic details – selected types of structural joints between given prefabricated elements;
- interior details – general architectural and construction details for interior elements of a residential building;
- exterior details – general architectural and construction details for exterior elements of a residential building.

Selected layer thickness, technological and material solutions, quantity and type of reinforcement are only indicative. The individual details contain only one of the possible types of joining structural elements. Final selection and dimensioning are the responsibility of the structural designer.

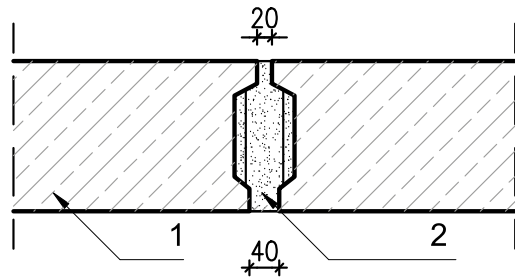
The manual does not touch upon general and applicable design principles. This document should be treated as a supplement to the knowledge and it is subordinate to the commonly known regulations contained in the Construction Law, Construction Standards, technical and construction studies and others.



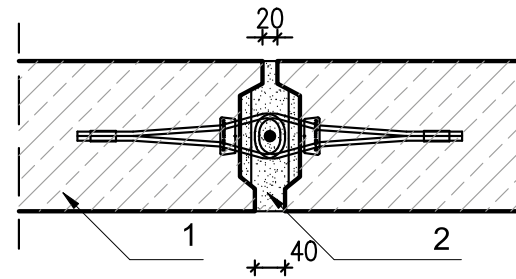
Basic Details

Joint types

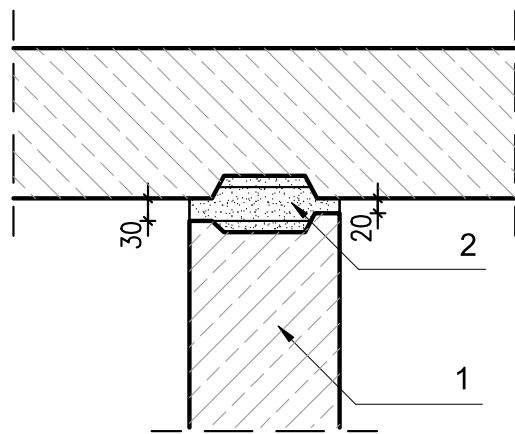
PARALLEL INSTALLATION OF
DOWEL BARS



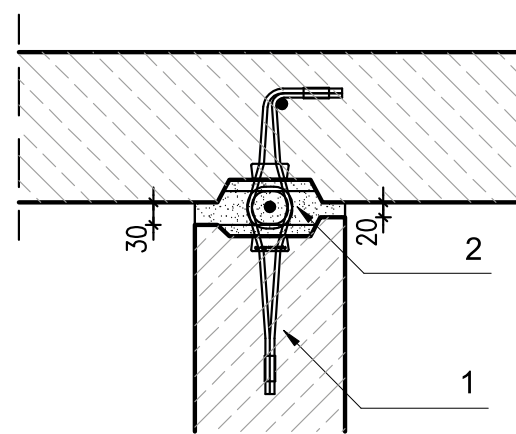
PARALLEL INSTALLATION OF DOWEL
BARS WITH ROPE LOOPS



PERPENDICULAR INSTALLATION
OF DOWEL BARS



PERPENDICULAR INSTALLATION OF
DOWEL BARS WITH ROPE LOOPS

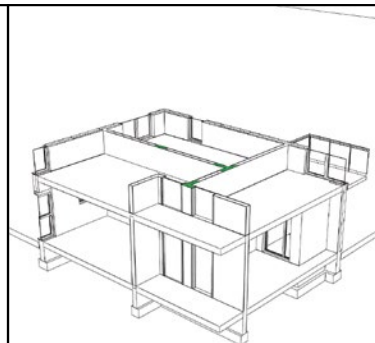


Key:

- 1. Prefabricated wall
- 2. Non-shrink mortar

Technical Details Catalogue
Residential Buildings

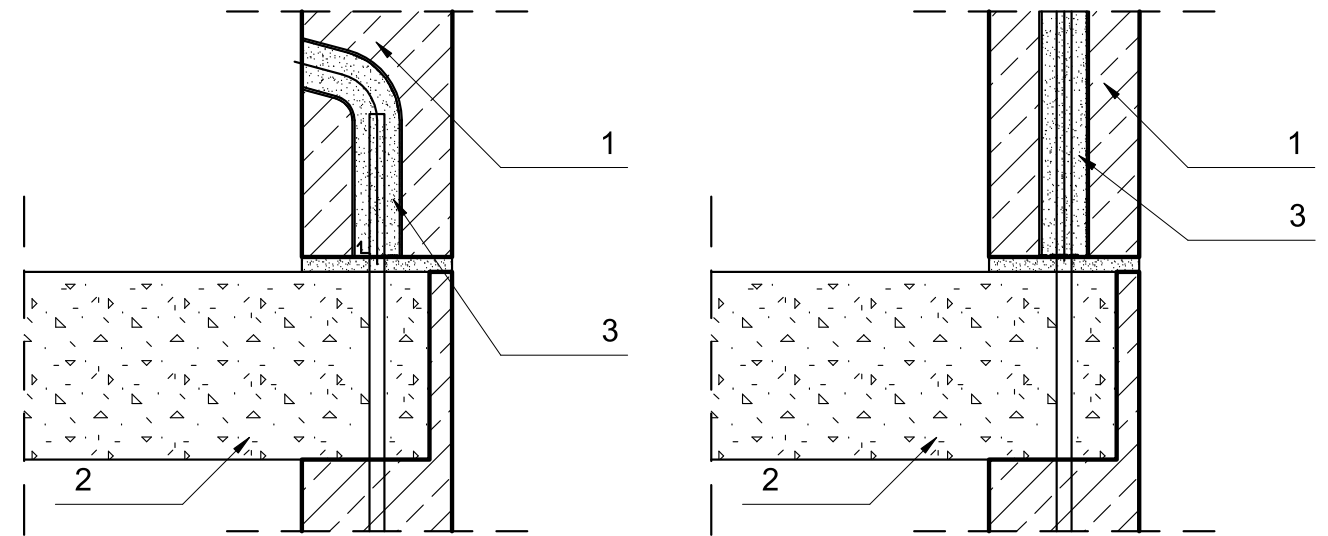
Joint types:
wall joining – horizontal section



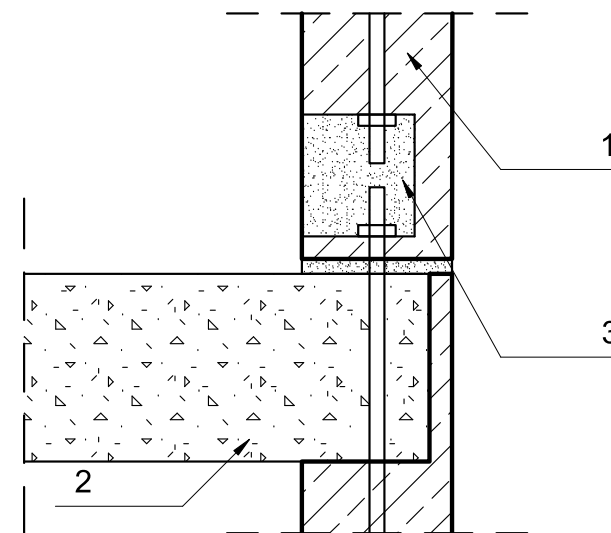
**PEKABEX
System**

U01_A

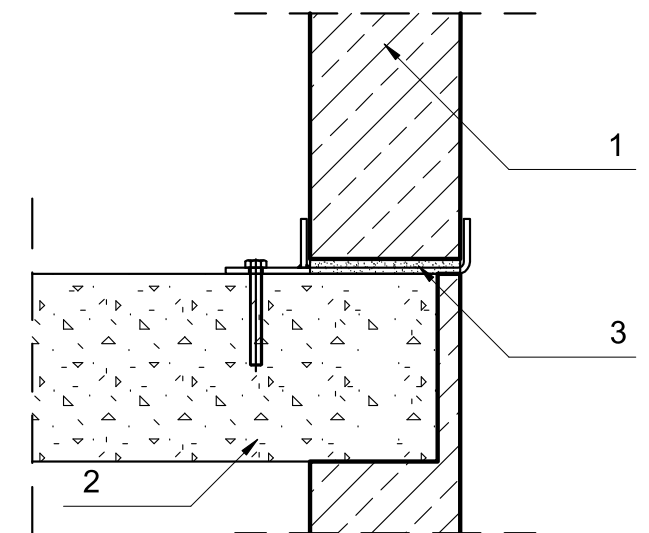
CORRUGATED DUCTS



SCREW FITTINGS



STEEL PADS

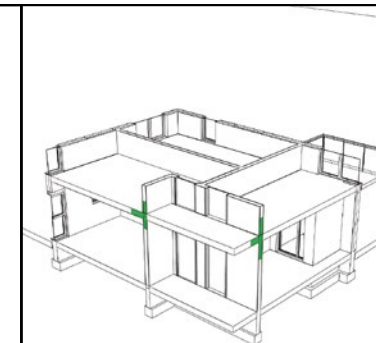


Key:

- 1. Prefabricated wall
- 2. Floor slab
- 3. Non-shrink mortar

Technical Details Catalogue
Residential Buildings

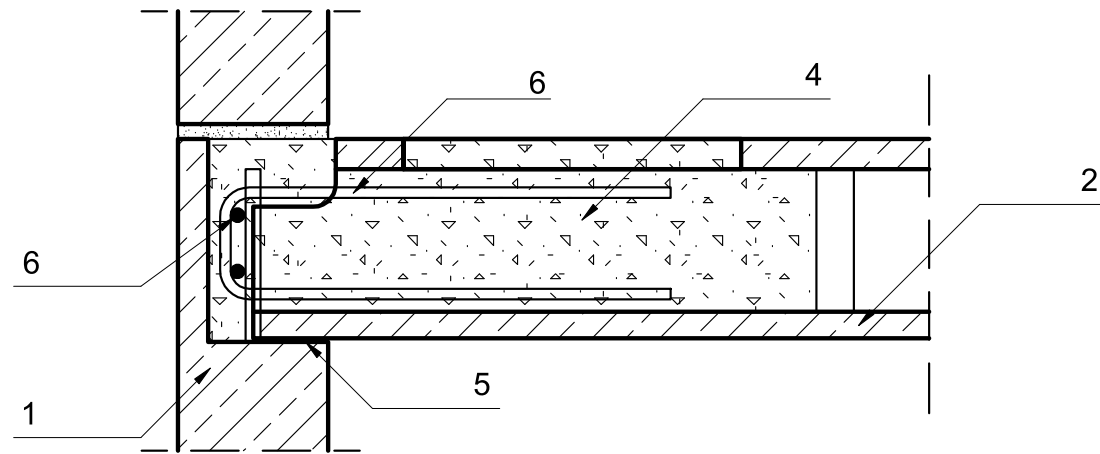
Joint types:
wall joining – vertical section



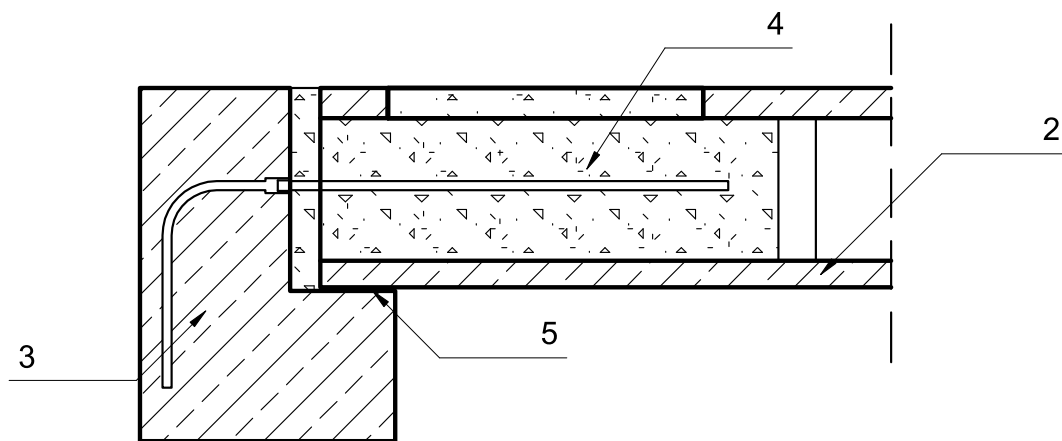
**PEKABEX
System**

U01_B

ONE-SIDED ON THE WALL



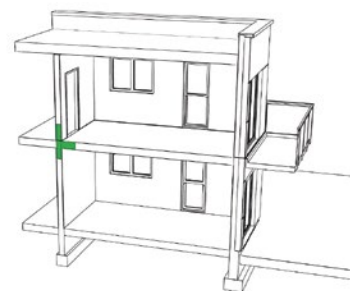
ONE-SIDED ON THE BEAM



- Key:
- 1. Prefabricated wall
 - 2. HC slab
 - 3. Prefabricated beam
 - 4. In-situ concrete
 - 5. Neoprene pad
 - 6. Bond beam reinforcement

Technical Details Catalogue
 Residential Buildings

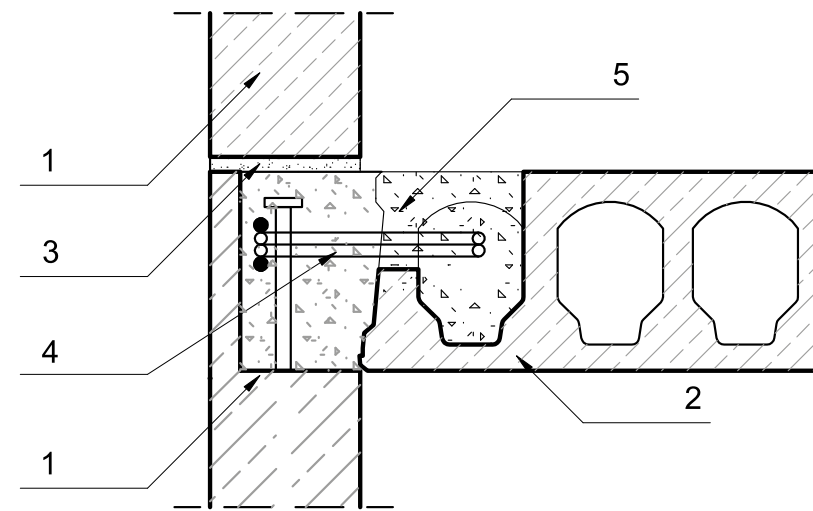
Joint types:
 floor slab support with
 HC slabs



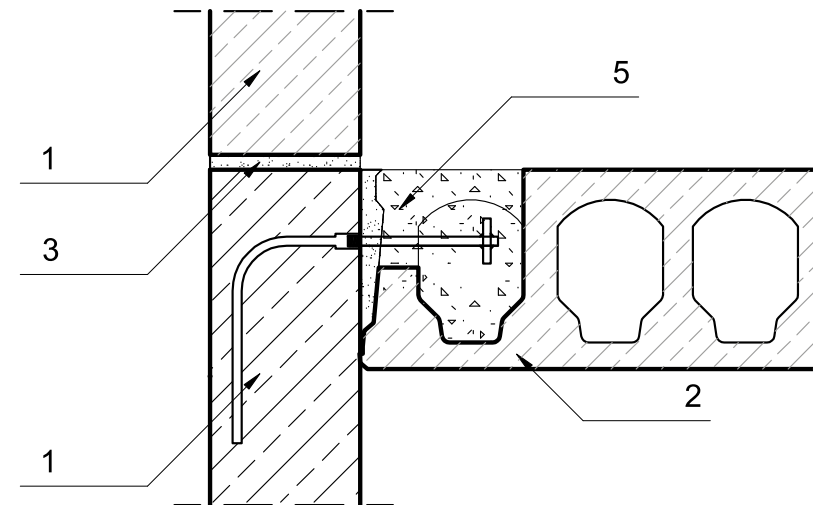
**PEKABEX
 System**

U01_C

WALL WITH BEAM



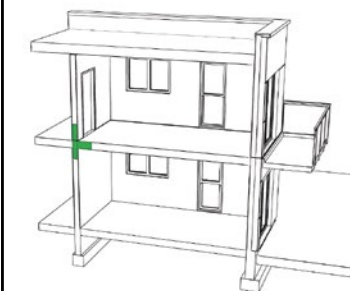
WALL WITHOUT BEAM



- Key:
- 1. Prefabricated wall
 - 2. HC slab
 - 3. Non-shrink mortar
 - 4. Bond beam reinforcement
 - 5. In-situ concrete

Technical Details Catalogue
 Residential Buildings

Joint types:
 floor slab parallel joint with
 HC slabs

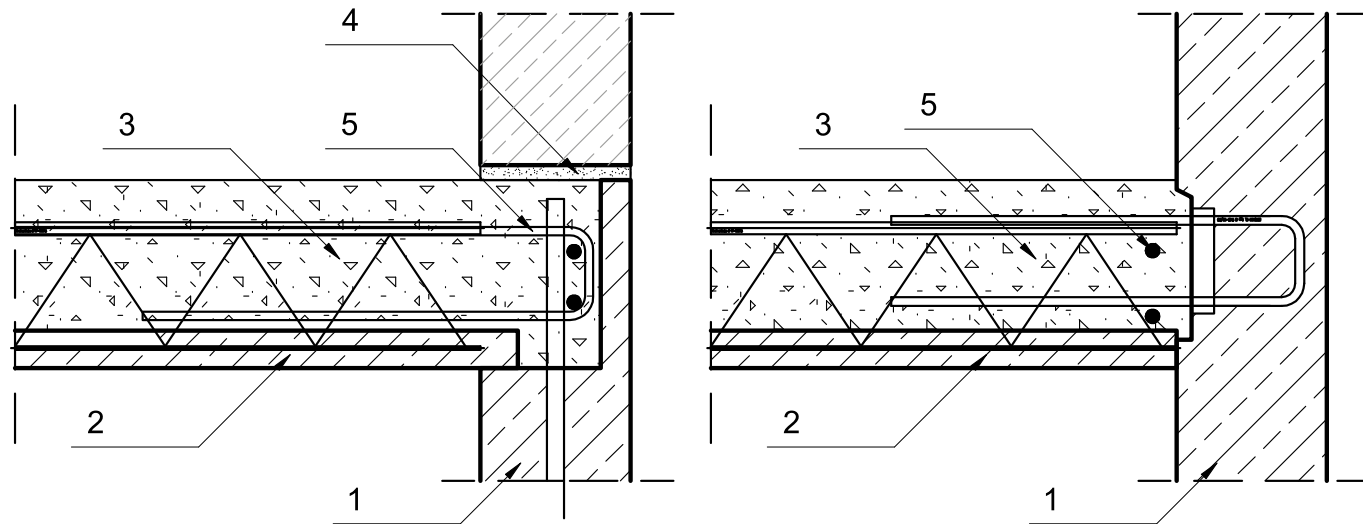


**PEKABEX
 System**

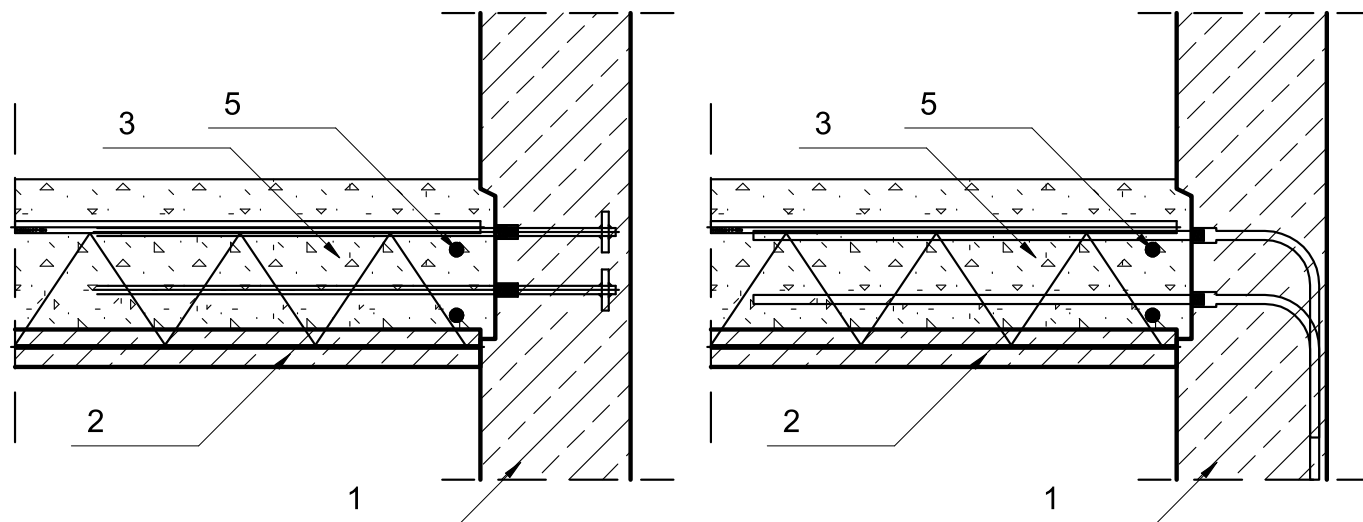
U01_D

SUPPORTED ON THE EDGE

BENDABLE REINFORCEMENT



SCREWED-IN REINFORCEMENT

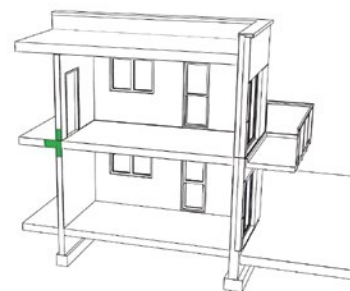


Key:

- 1. Prefabricated wall – structural layer
- 2. Filigree slab
- 3. Concrete overlay
- 4. Non-shrink mortar
- 5. Bond beam reinforcement

Technical Details Catalogue
 Residential Buildings

Joint types:
 floor slab support with filigree slab



**PEKABEX
 System**

U01_E



Interior Details

Interior prefabricated wall joints

Joining a prefabricated interior wall to the plasterboard partition wall

Joining an interior pre-fabricated wall to the HC floor slab

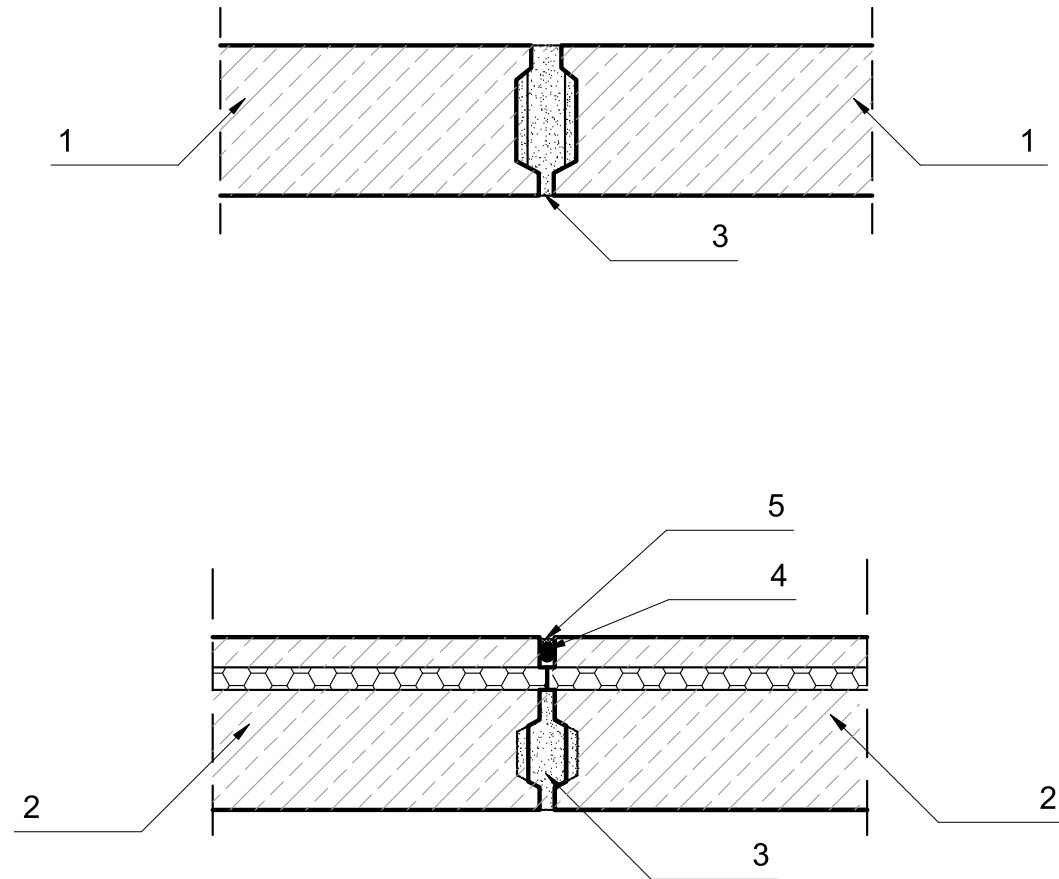
Joining an interior pre-fabricated wall to the solid floor slab

Joining an interior pre-fabricated wall to the reinforced filigree floor slab

Joining an interior pre-fabricated wall to the prestressed filigree floor slab

Joining the partition wall to the floor slab

Joining of staircase elements

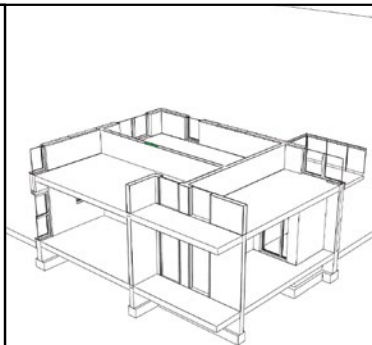


Key:

- 1. Prefabricated single-layer wall
- 2. Prefabricated three-layer wall (staircases, corridors)
- 3. Non-shrink mortar made on site
- 4. Backing strip
- 5. Flexible putty

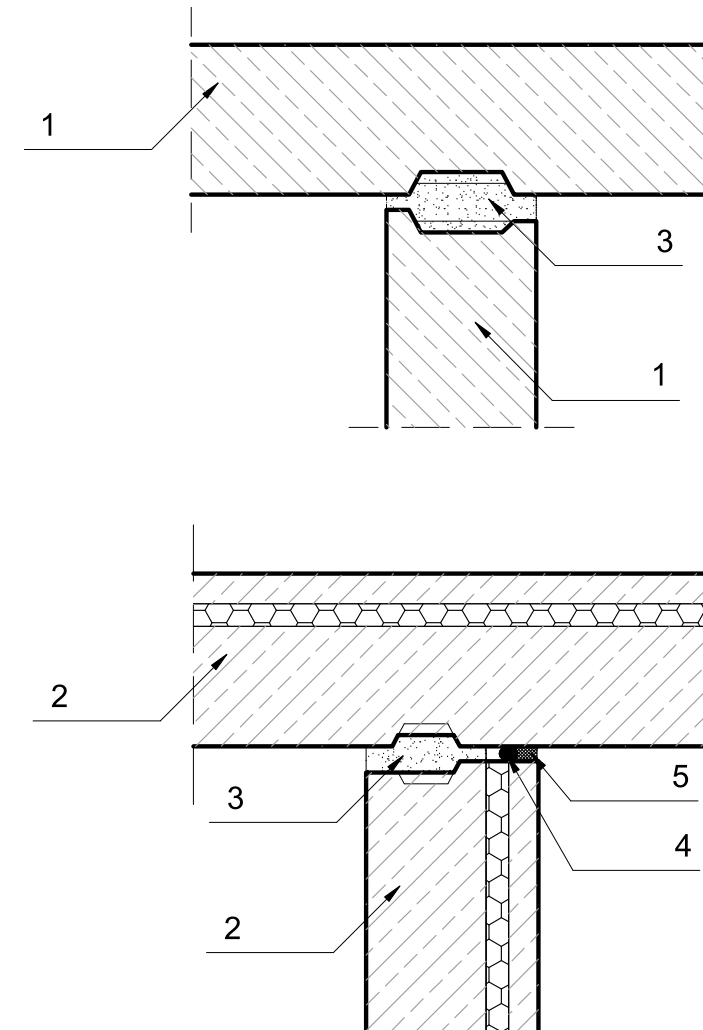
Technical Details Catalogue
 Residential Buildings

Interior prefabricated wall joints:
 single-layer walls/three-layer walls
 end-to-end



**PEKABEX
 System**

W01_A

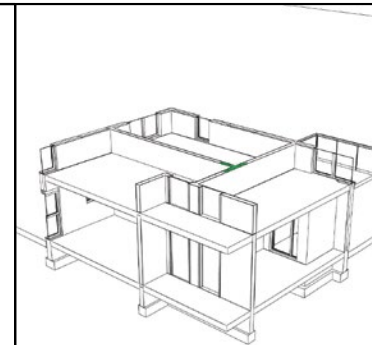


Key:

- 1. Prefabricated single-layer wall
- 2. Prefabricated three-layer wall (staircases, corridors)
- 3. Non-shrink mortar made on site
- 4. Backing strip
- 5. Flexible putty

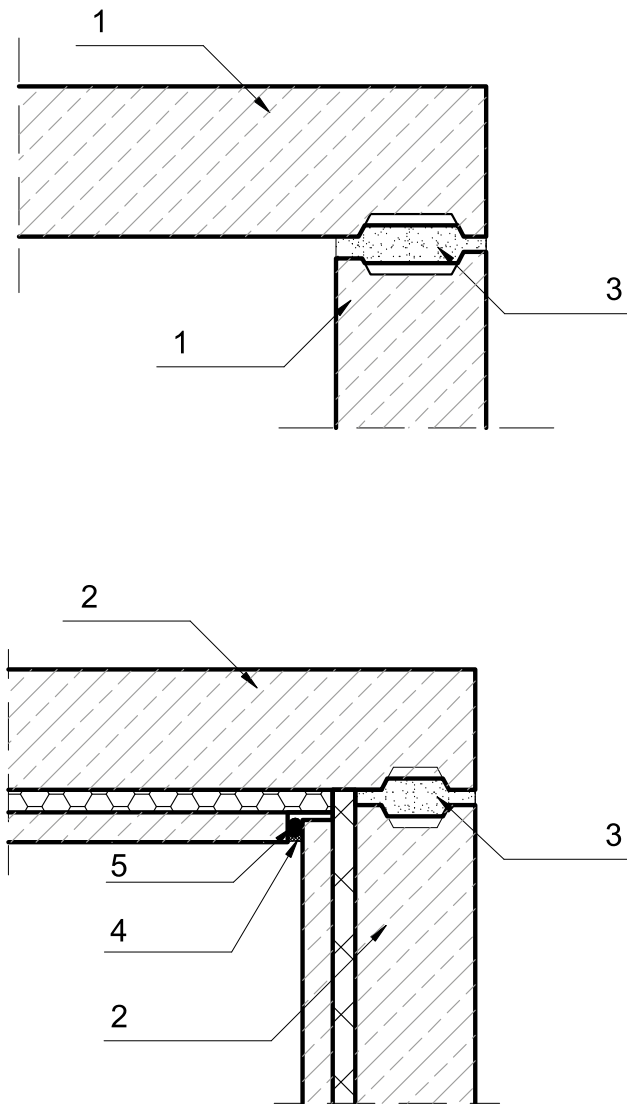
Technical Details Catalogue
 Residential Buildings

Interior prefabricated wall joints:
 single-layer walls/three-layer walls
 perpendicular



**PEKABEX
 System**

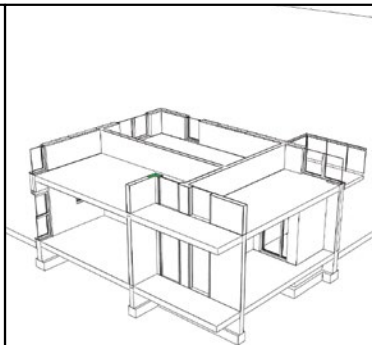
W01_B



- Key:
- 1. Prefabricated single-layer wall
 - 2. Three-layer prefabricated wall
 - 3. Non-shrink mortar made on site
 - 4. Backing strip
 - 5. Flexible putty

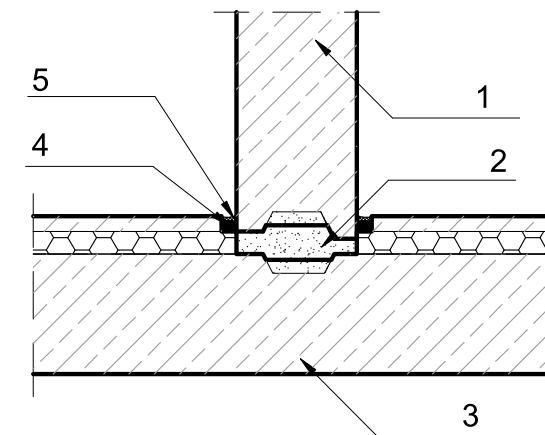
Technical Details Catalogue
 Residential Buildings

Interior prefabricated wall joints:
 single-layer walls/three-layer walls
 corner



**PEKABEX
 System**

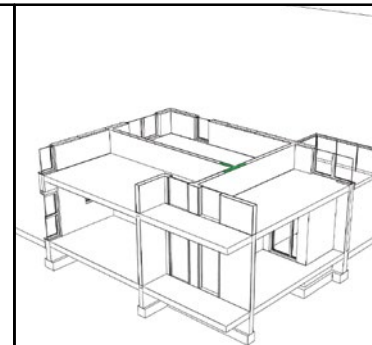
W01_C



- Key:
- 1. Prefabricated single-layer wall
 - 2. Non-shrink mortar made on site
 - 3. Three-layer prefabricated wall
 - 4. Backing strip
 - 5. Flexible putty

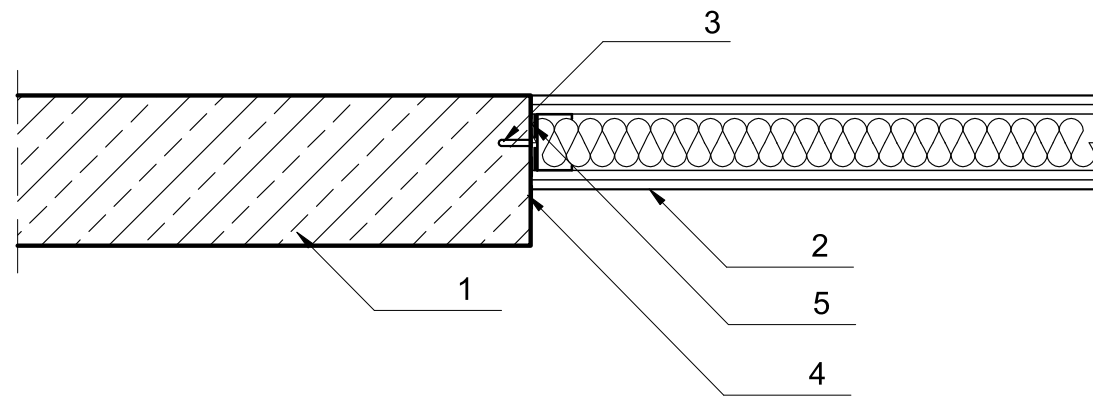
Technical Details Catalogue
 Residential Buildings

Interior prefabricated wall joints:
 single-layer wall
 and three-layer wall perpendicular



**PEKABEX
 System**

W01_D

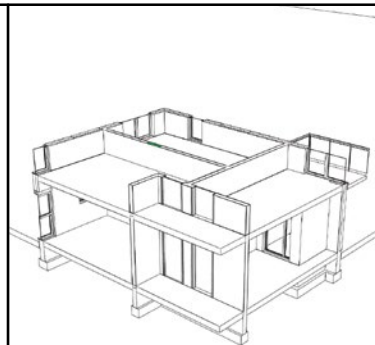


Key:

- 1. Prefabricated single-layer wall
- 2. Plasterboard partition wall
- 3. Mounting adapter
- 4. Separator strip
- 5. Isolation strip

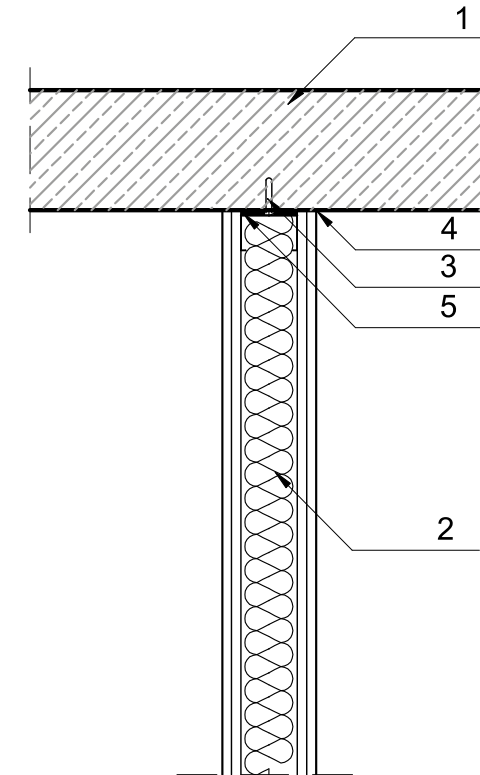
Technical Details Catalogue
 Residential Buildings

Joining a prefabricated interior
 wall to the plasterboard partition
 wall: end-to-end



**PEKABEX
 System**

W02_A

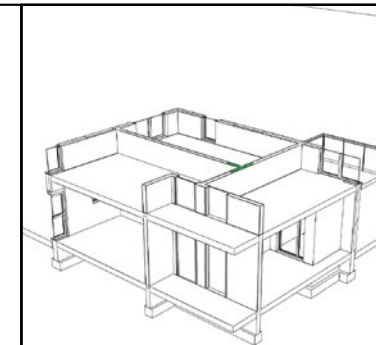


Key:

- 1. Prefabricated single-layer wall
- 2. Plasterboard partition wall
- 3. Mounting adapter
- 4. Separator strip
- 5. Isolation strip

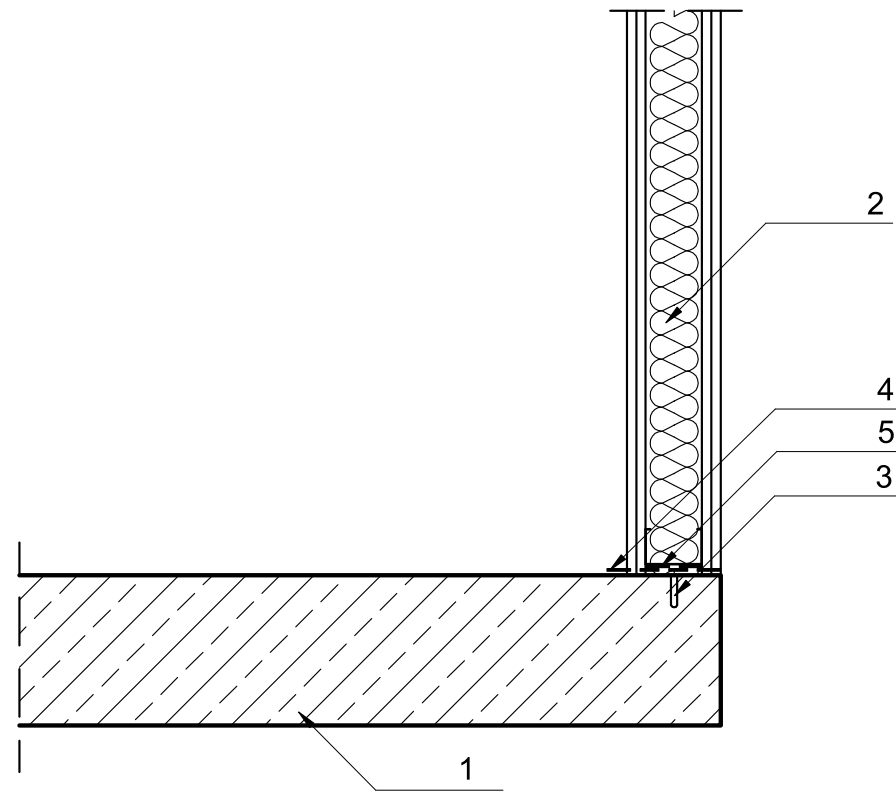
Technical Details Catalogue
 Residential Buildings

Joining a prefabricated interior
 wall to the plasterboard partition
 wall: perpendicular



**PEKABEX
 System**

W02_B

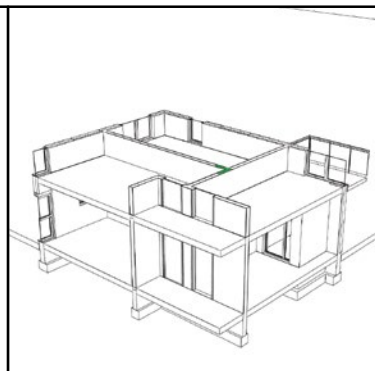


Key:

- 1. Prefabricated single-layer wall
- 2. Plasterboard partition wall
- 3. Mounting adapter
- 4. Separator strip
- 5. Isolation strip

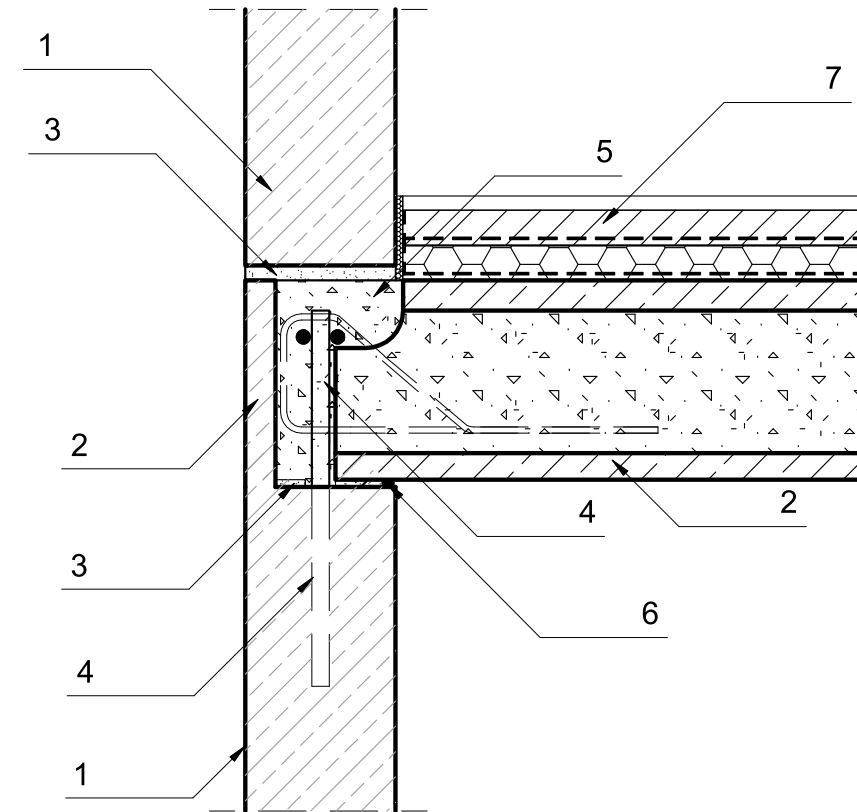
Technical Details Catalogue
 Residential Buildings

Joining a prefabricated interior
 wall to the plasterboard partition
 wall: corner



**PEKABEX
 System**

W02_C

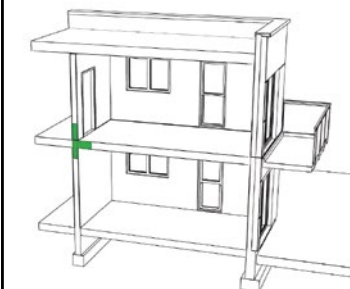


Key:

- 1. Interior prefabricated wall
- 2. HC slab
- 3. Non-shrink mortar
- 4. Reinforcement
- 5. Concrete
- 6. Backing strip
- 7. Finishing layers

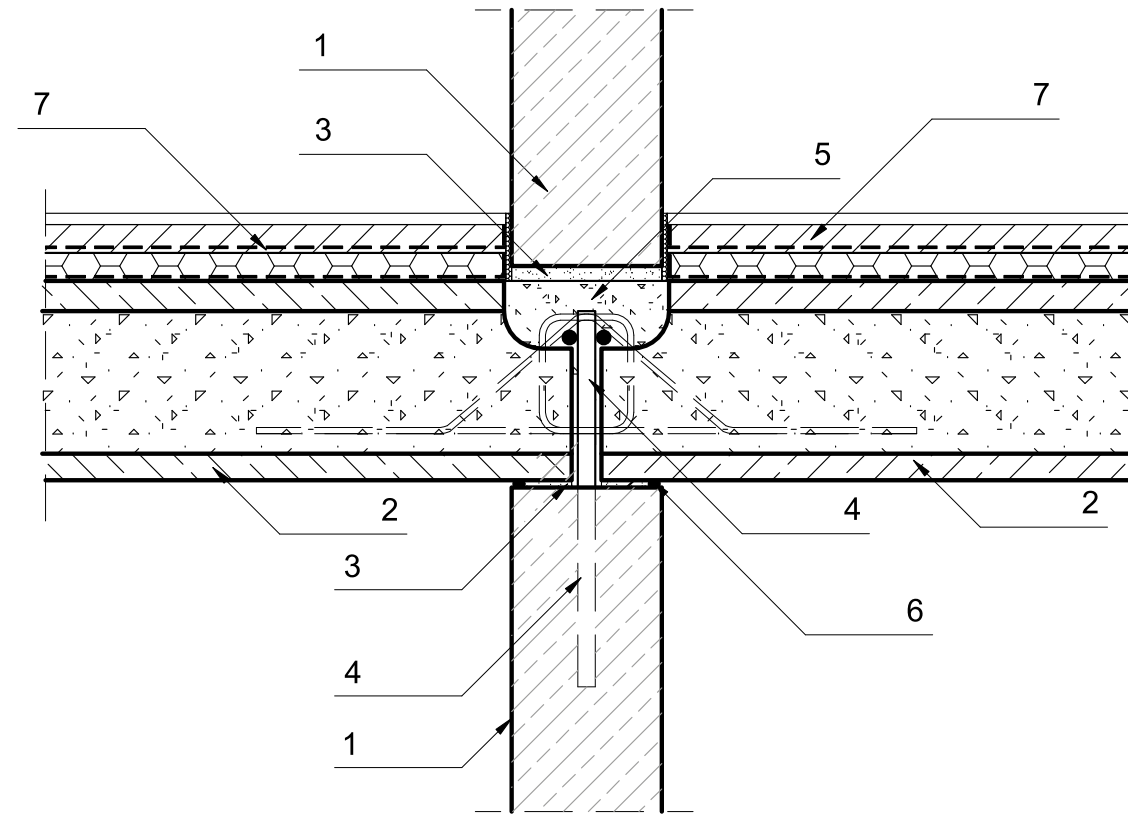
Technical Details Catalogue
 Residential Buildings

Joining an interior
 pre-fabricated wall to HC floor
 slab: supported on one side



**PEKABEX
 System**

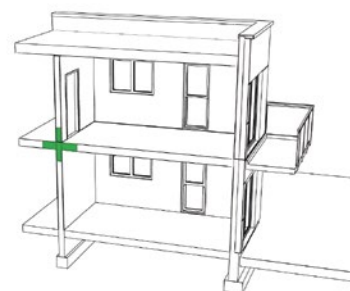
W03_A



- Key:
1. Interior prefabricated wall
 2. HC slab
 3. Non-shrink mortar
 4. Reinforcement
 5. Concrete
 6. Backing strip
 7. Finishing layers

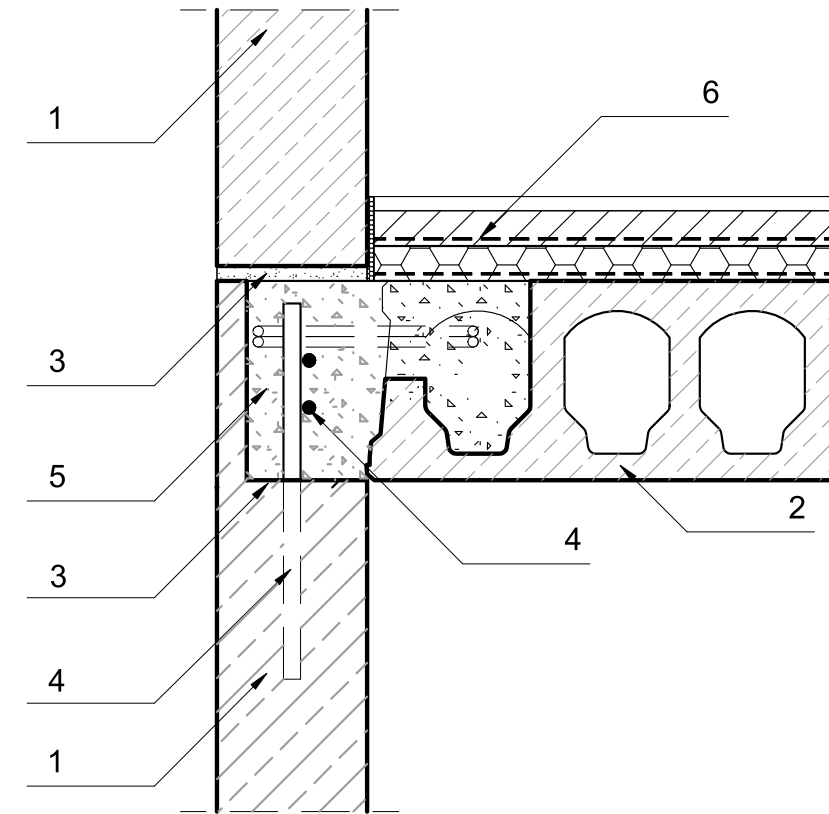
Technical Details Catalogue
 Residential Buildings

Joining an interior pre-fabricated
 wall to HC floor slab: supported
 on two sides



**PEKABEX
 System**

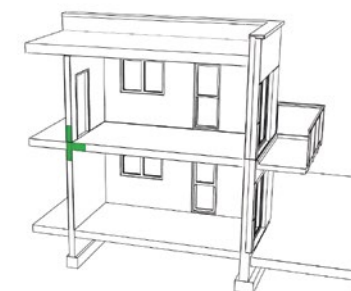
W03_B



- Key:
1. Interior prefabricated wall
 2. HC slabs
 3. Non-shrink mortar
 4. Reinforcement
 5. Concrete
 6. Finishing layers

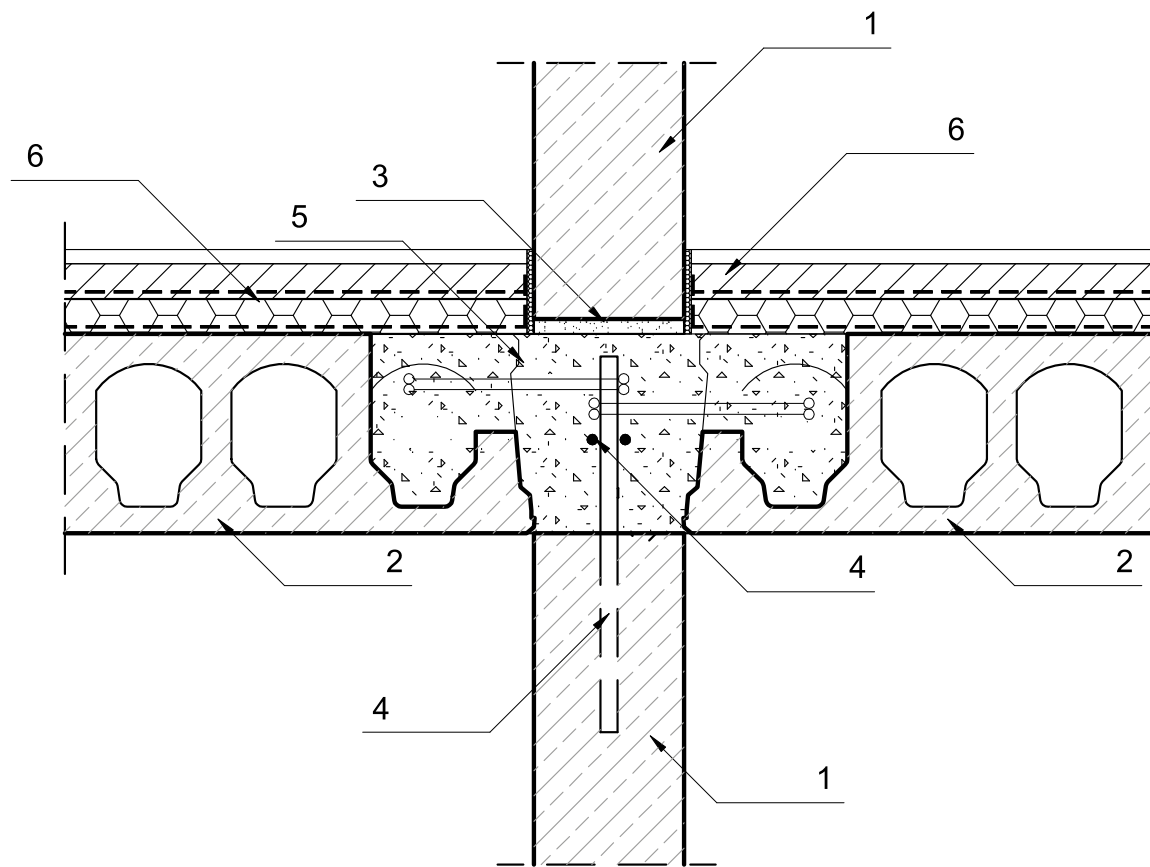
Technical Details Catalogue
 Residential Buildings

Joining an interior pre-fabricated
 wall to the HC floor slab: adjoining
 on one side



**PEKABEX
 System**

W03_C

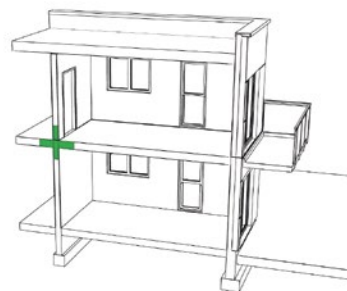


Key:

- 1. Interior prefabricated wall
- 2. HC slab
- 3. Non-shrink mortar
- 4. Reinforcement
- 5. Concrete
- 6. Finishing layers

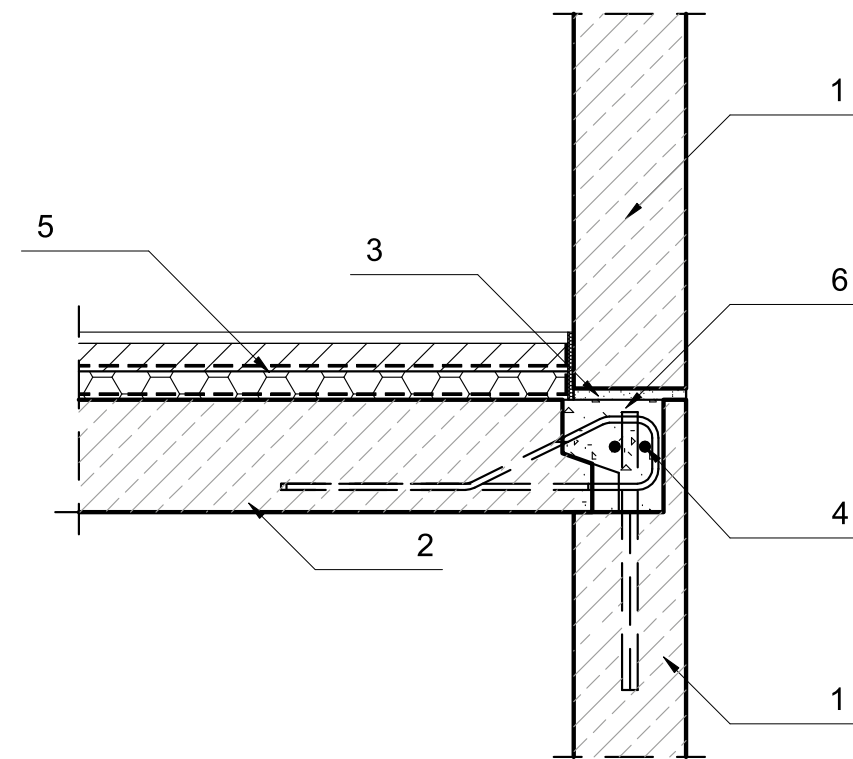
Technical Details Catalogue
 Residential Buildings

Joining an interior pre-fabricated
 wall to the HC floor slab: adjoining
 on two sides



**PEKABEX
 System**

W03_D

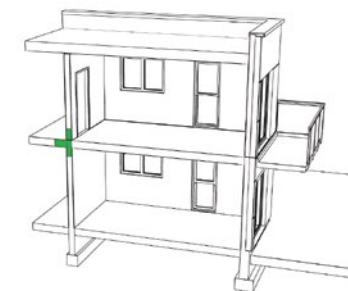


Key:

- 1. Prefabricated wall
- 2. Solid floor slab
- 3. Non-shrink mortar
- 4. Reinforcement
- 5. Finishing layers
- 6. In-situ concrete

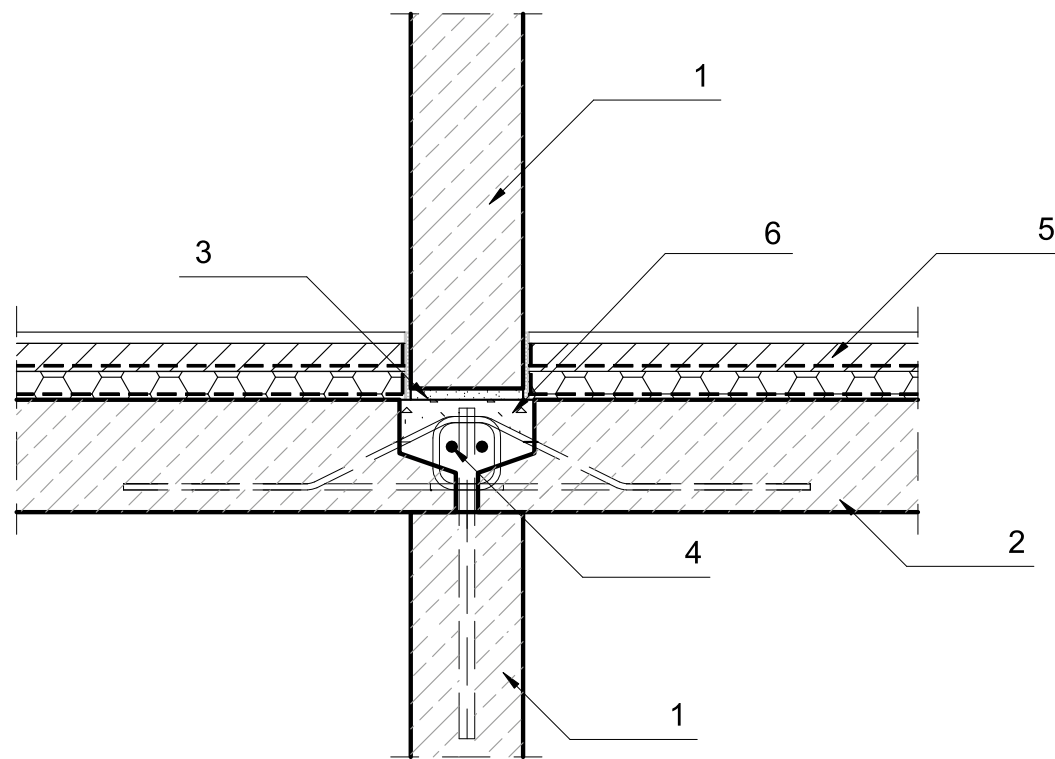
Technical Details Catalogue
 Residential Buildings

Joining an interior pre-fabricated
 wall to the solid floor slab:
 supported on one side



**PEKABEX
 System**

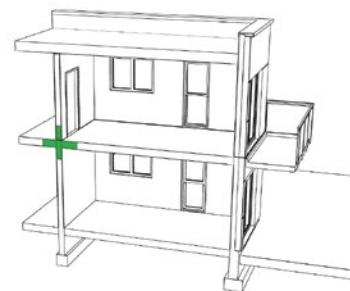
W04_A



- Key:
- 1. Prefabricated wall
 - 2. Solid floor slab
 - 3. Non-shrink mortar
 - 4. Reinforcement
 - 5. Finishing layers
 - 6. In-situ concrete

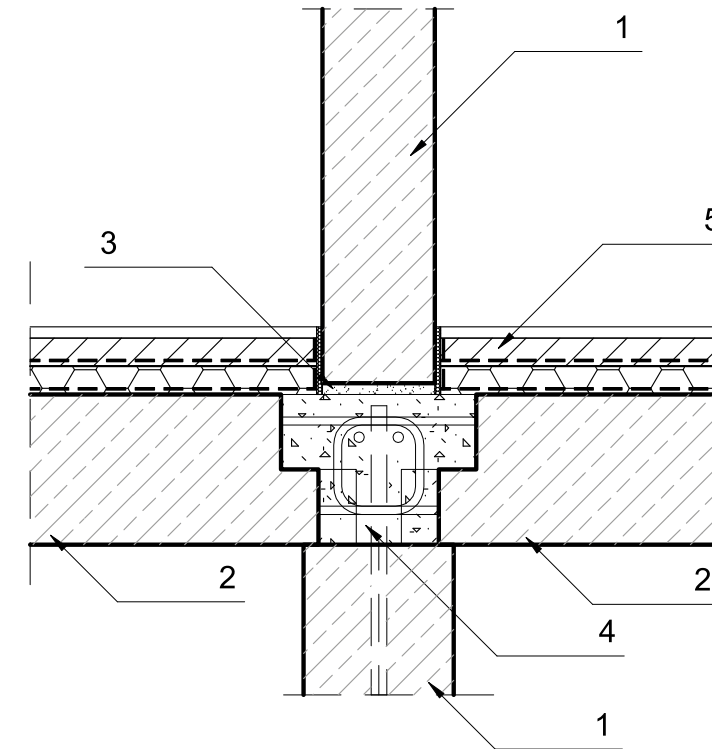
Technical Details Catalogue
 Residential Buildings

Joining an interior pre-fabricated
 wall to the solid floor slab:
 supported on two sides



**PEKABEX
 System**

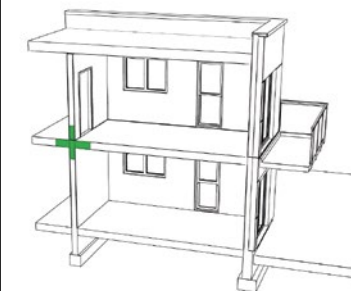
W04_B



- Key:
- 1. Prefabricated wall
 - 2. Solid floor slab
 - 3. Non-shrink mortar
 - 4. Reinforcement
 - 5. Finishing layers

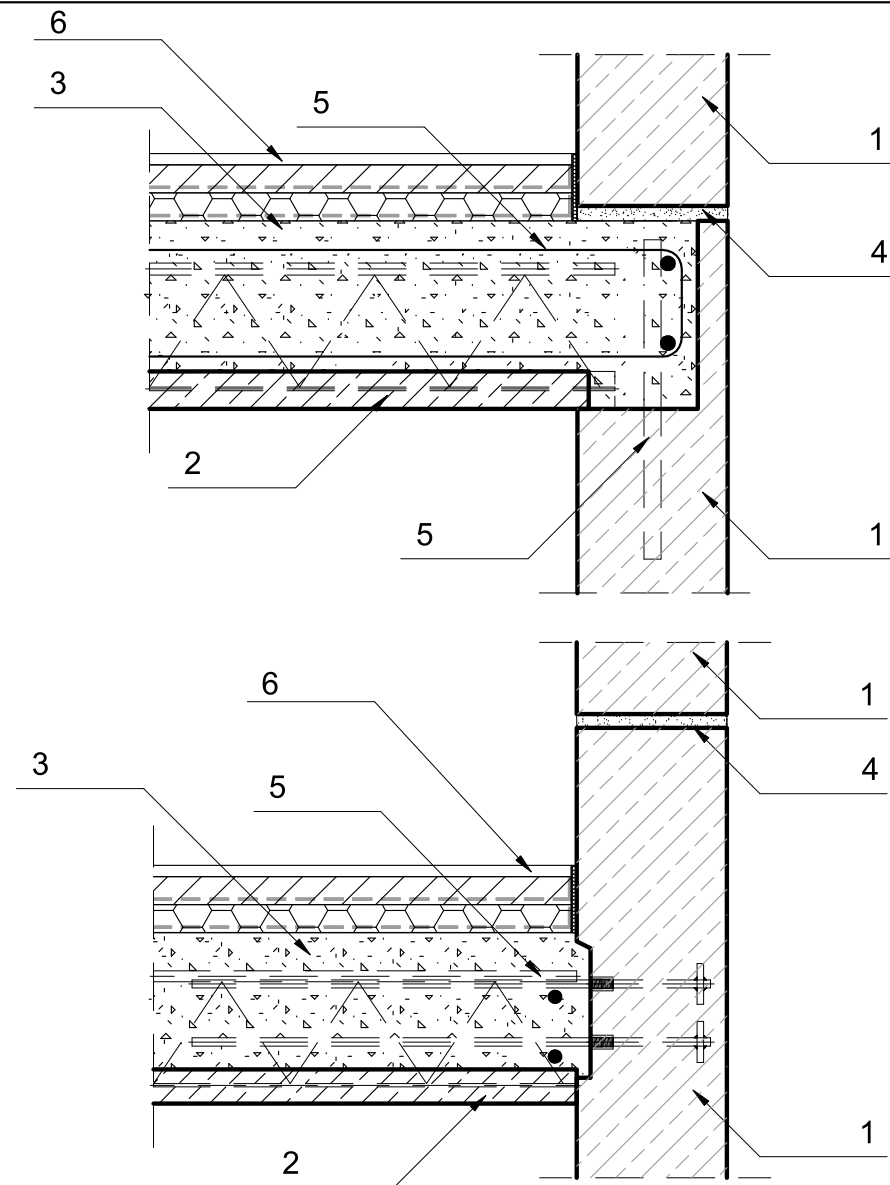
Technical Details Catalogue
 Residential Buildings

Joining an interior pre-fabricated
 wall to the solid floor slab:
 adjoining on two sides



**PEKABEX
 System**

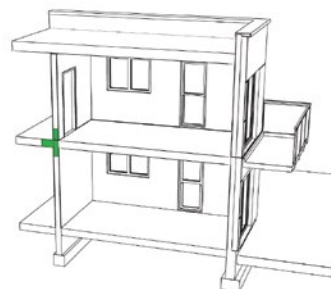
W04_C



- Key:
1. Prefabricated single-layer wall
 2. Reinforced filigree
 3. Concrete overlay
 4. Non-shrink mortar
 5. Reinforcement
 6. Finishing layers

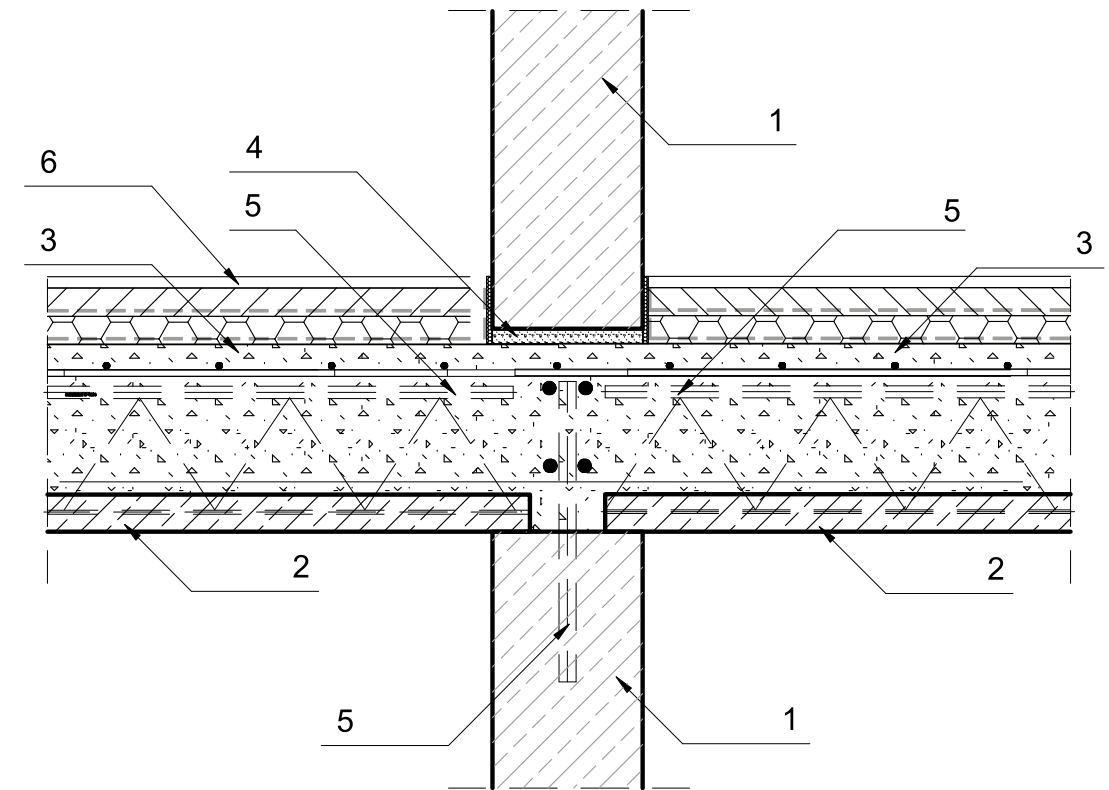
Technical Details Catalogue
 Residential Buildings

Joining an interior pre-fabricated
 wall to the reinforced filigree floor
 slab: supported on one side



**PEKABEX
 System**

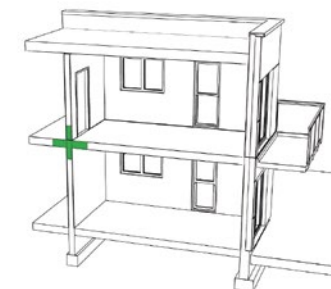
W05_A



- Key:
1. Prefabricated single-layer wall
 2. Reinforced filigree
 3. Concrete overlay
 4. Non-shrink mortar
 5. Reinforcement
 6. Finishing layers

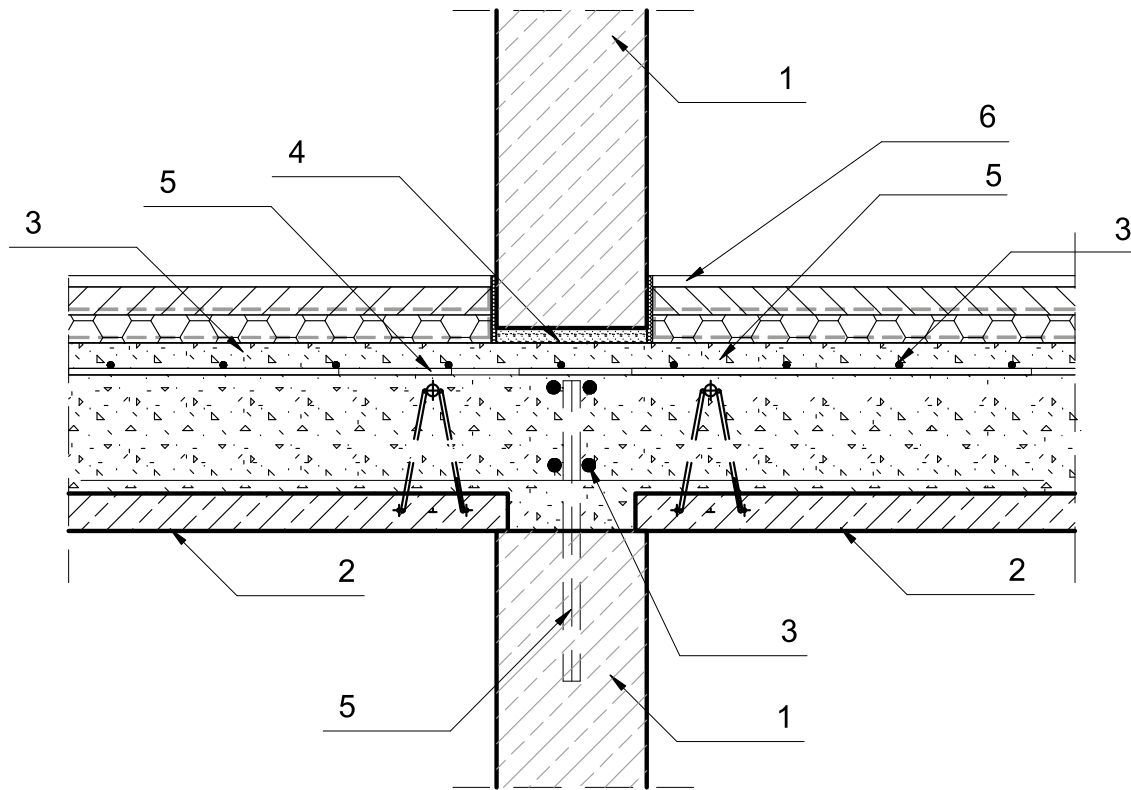
Technical Details Catalogue
 Residential Buildings

Joining an interior pre-fabricated
 wall to the reinforced filigree floor
 slab: supported on two sides



**PEKABEX
 System**

W05_B

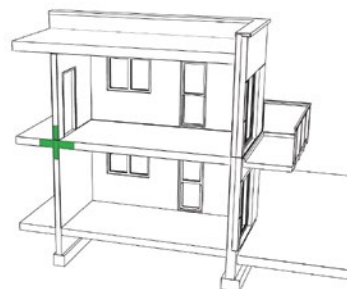


Key:

- 1. Prefabricated single-layer wall
- 2. Reinforced filigree
- 3. Concrete overlay
- 4. Non-shrink mortar
- 5. Reinforcement
- 6. Finishing layers

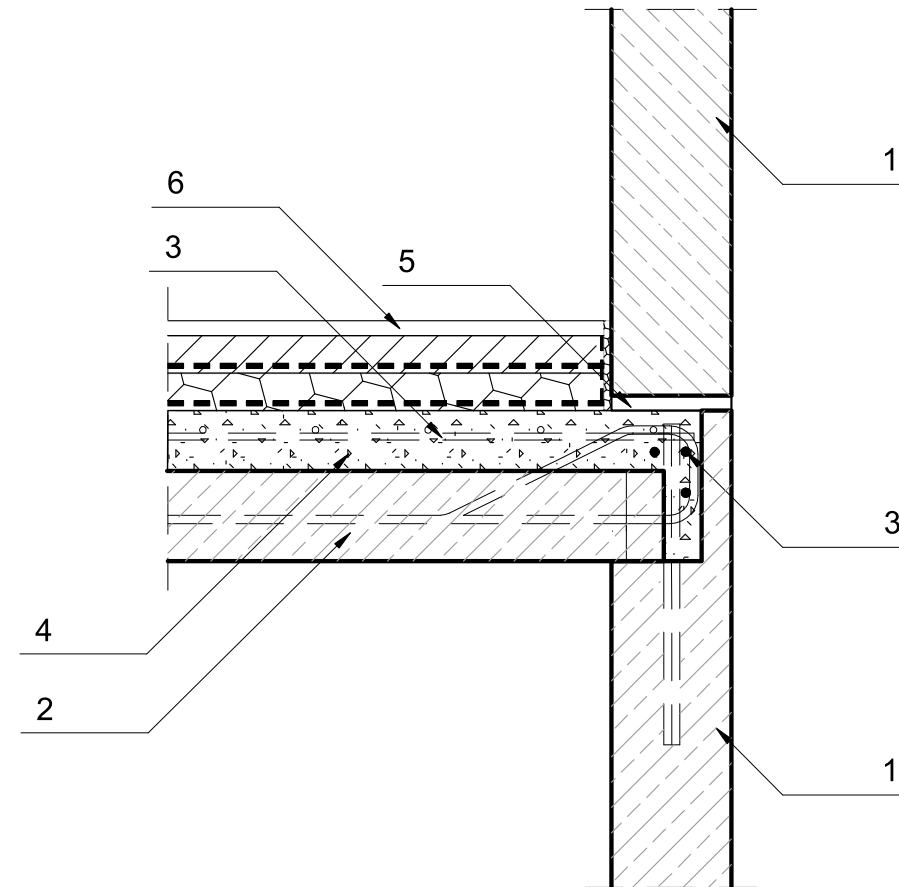
Technical Details Catalogue
 Residential Buildings

Joining an interior pre-fabricated
 wall to the reinforced filigree
 floor slab: adjoining on two sides



**PEKABEX
 System**

W05_C

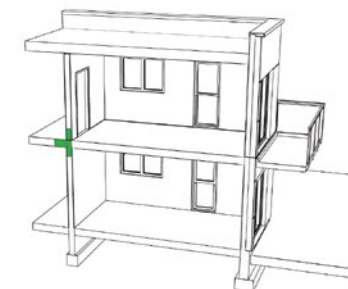


Key:

- 1. Interior prefabricated wall
- 2. Filigree floor slab
- 3. Reinforcement
- 4. Concrete
- 5. Non-shrink mortar
- 6. Finishing layers

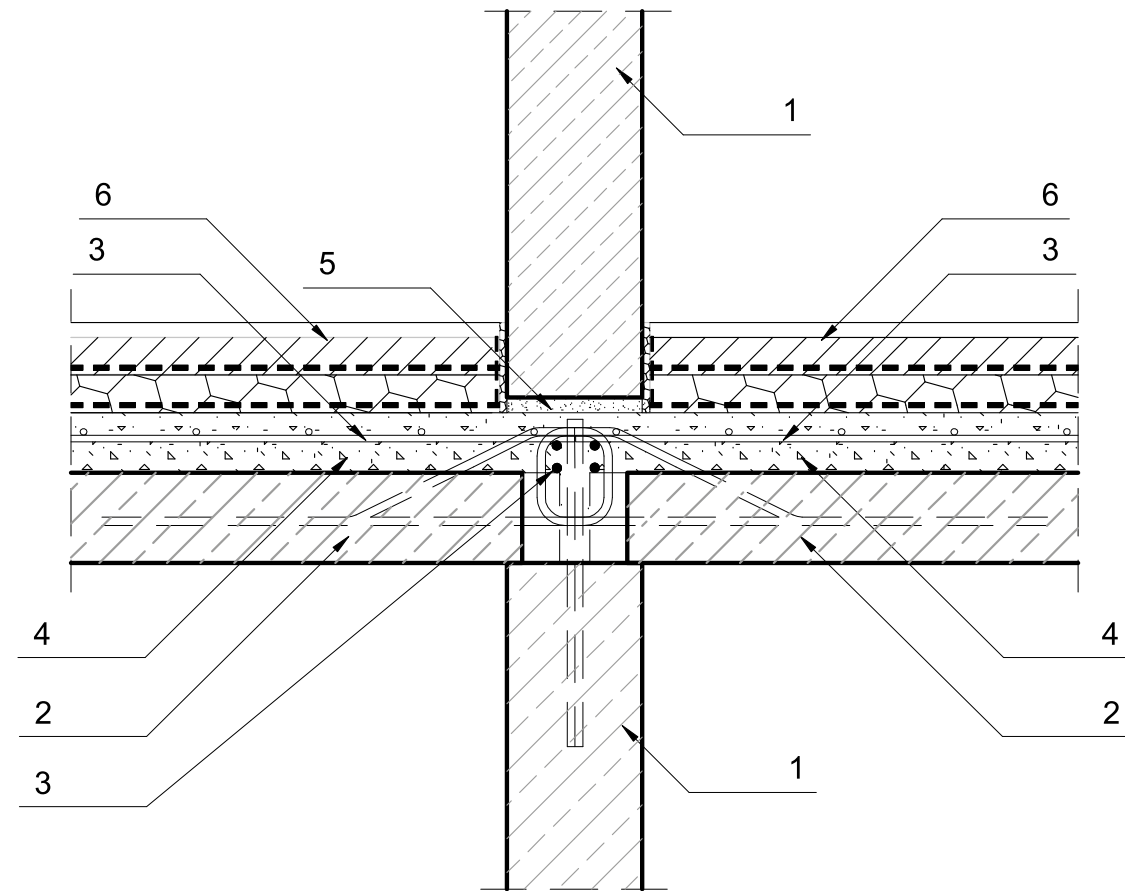
Technical Details Catalogue
 Residential Buildings

Joining an interior pre-fabricated
 wall to the prestressed filigree
 floor slab: supported on one side



**PEKABEX
 System**

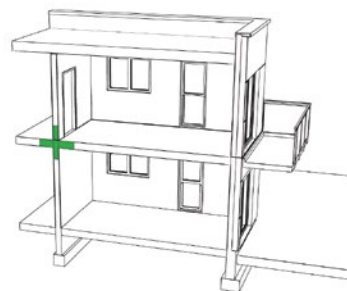
W06_A



- Key:
- 1. Interior prefabricated wall
 - 2. Filigree floor slab
 - 3. Reinforcement
 - 4. Concrete
 - 5. Non-shrink mortar
 - 6. Finishing layers

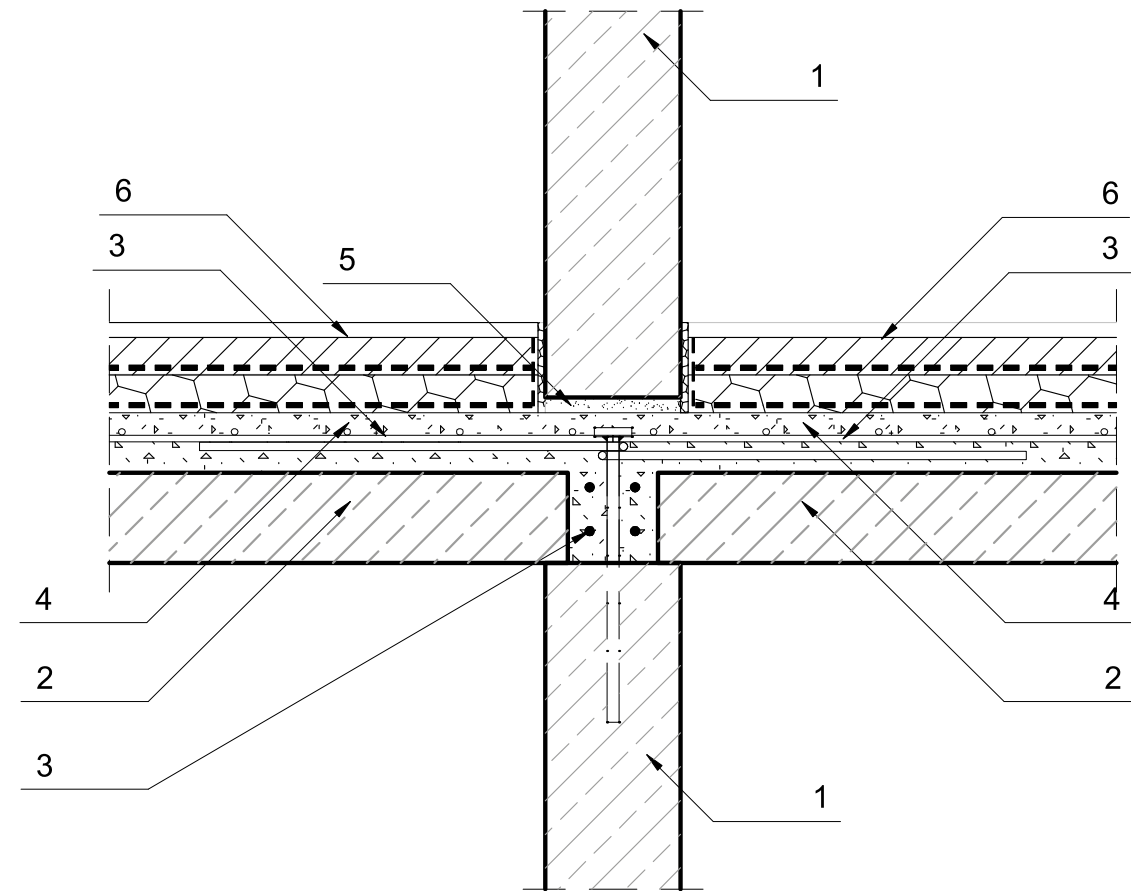
Technical Details Catalogue
 Residential Buildings

Joining an interior pre-fabricated
 wall to the prestressed filigree
 floor slab: supported on two sides



**PEKABEX
 System**

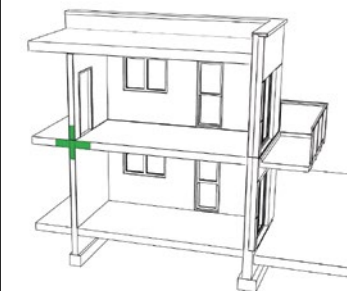
W06_B



- Key:
- 1. Interior prefabricated wall
 - 2. Filigree floor slab
 - 3. Reinforcement
 - 4. Concrete
 - 5. Non-shrink mortar
 - 6. Finishing layers

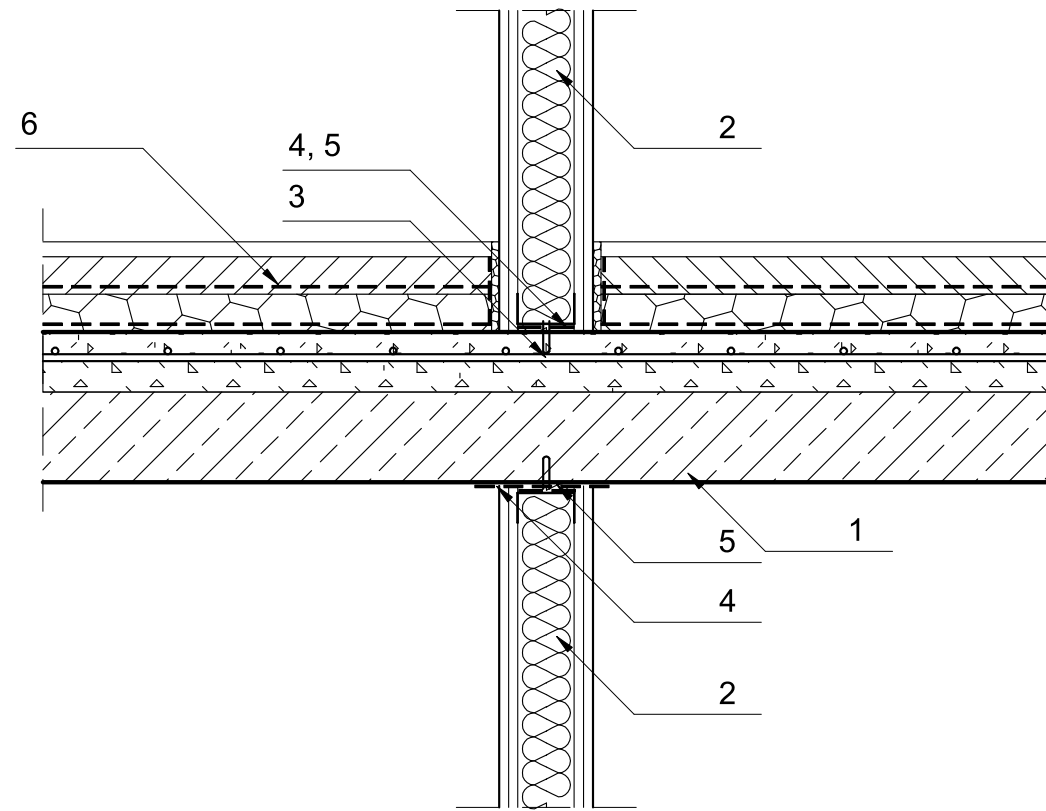
Technical Details Catalogue
 Residential Buildings

Joining an interior pre-fabricated
 wall to the prestressed filigree
 floor slab: adjoining on two sides



**PEKABEX
 System**

W06_C

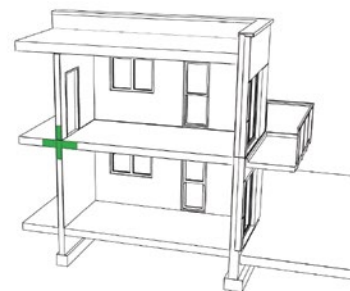


Key:

- 1. Prefabricated floor slab
- 2. Plasterboard partition wall
- 3. Mounting adapter
- 4. Separator strip
- 5. Isolation strip
- 6. Finishing layers

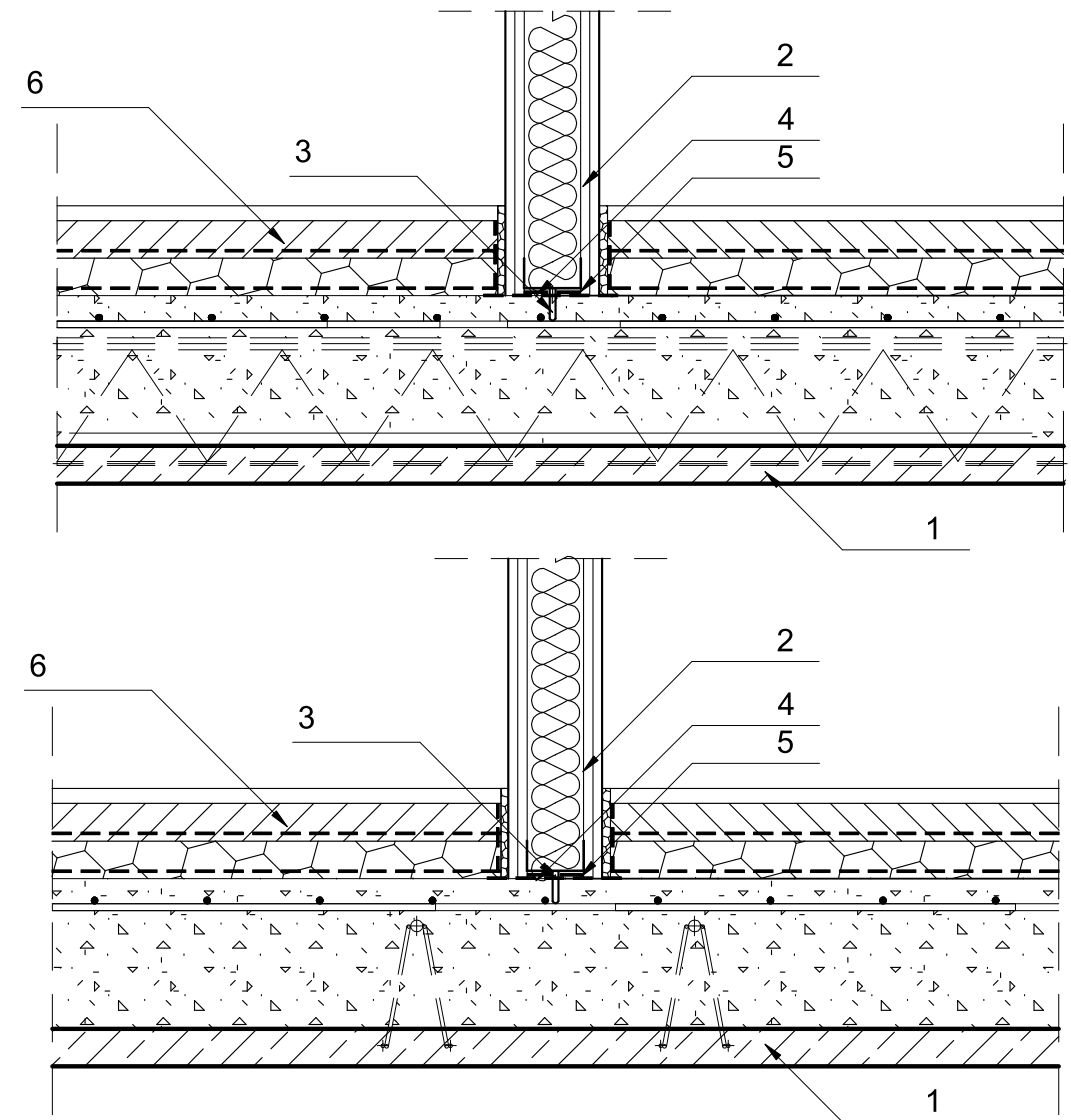
Technical Details Catalogue
 Residential Buildings

Joining the partition wall to the
 floor slab: plasterboard wall with
 prestressed floor slab



**PEKABEX
 System**

W07_A

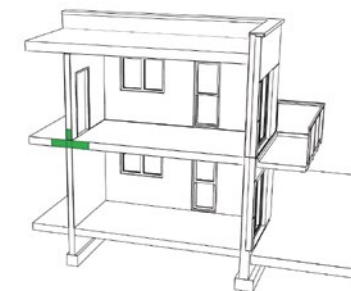


Key:

- 1. Prefabricated floor slab
- 2. Plasterboard partition wall
- 3. Mounting adapter
- 4. Separator strip
- 5. Isolation strip
- 6. Finishing layers

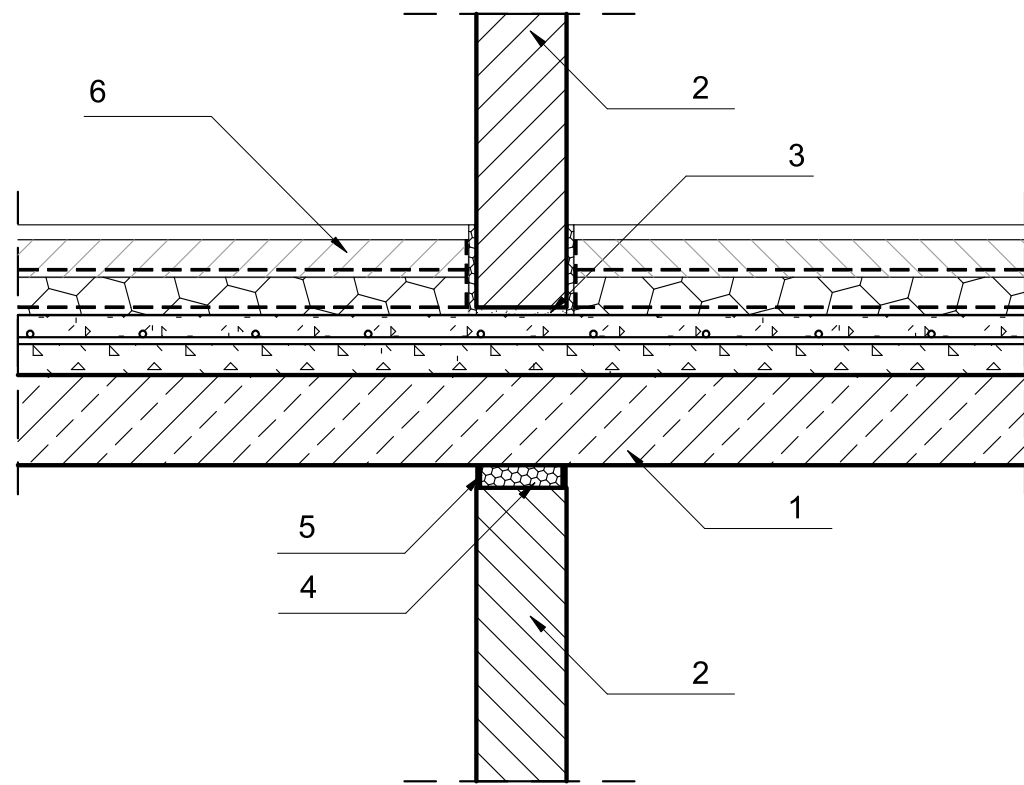
Technical Details Catalogue
 Residential Buildings

Joining the partition wall to the
 floor slab: plasterboard wall with
 reinforced floor slab



**PEKABEX
 System**

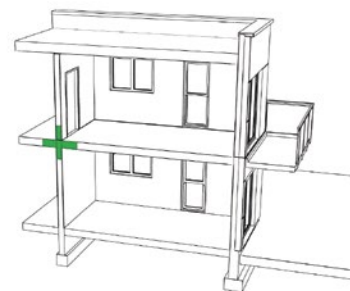
W07_B



- Key:
1. Prefabricated floor slab
 2. Masonry partition wall
 3. Non-shrink mortar
 4. Mineral wool
 5. Fire protection silicone sealant
 6. Finishing layers

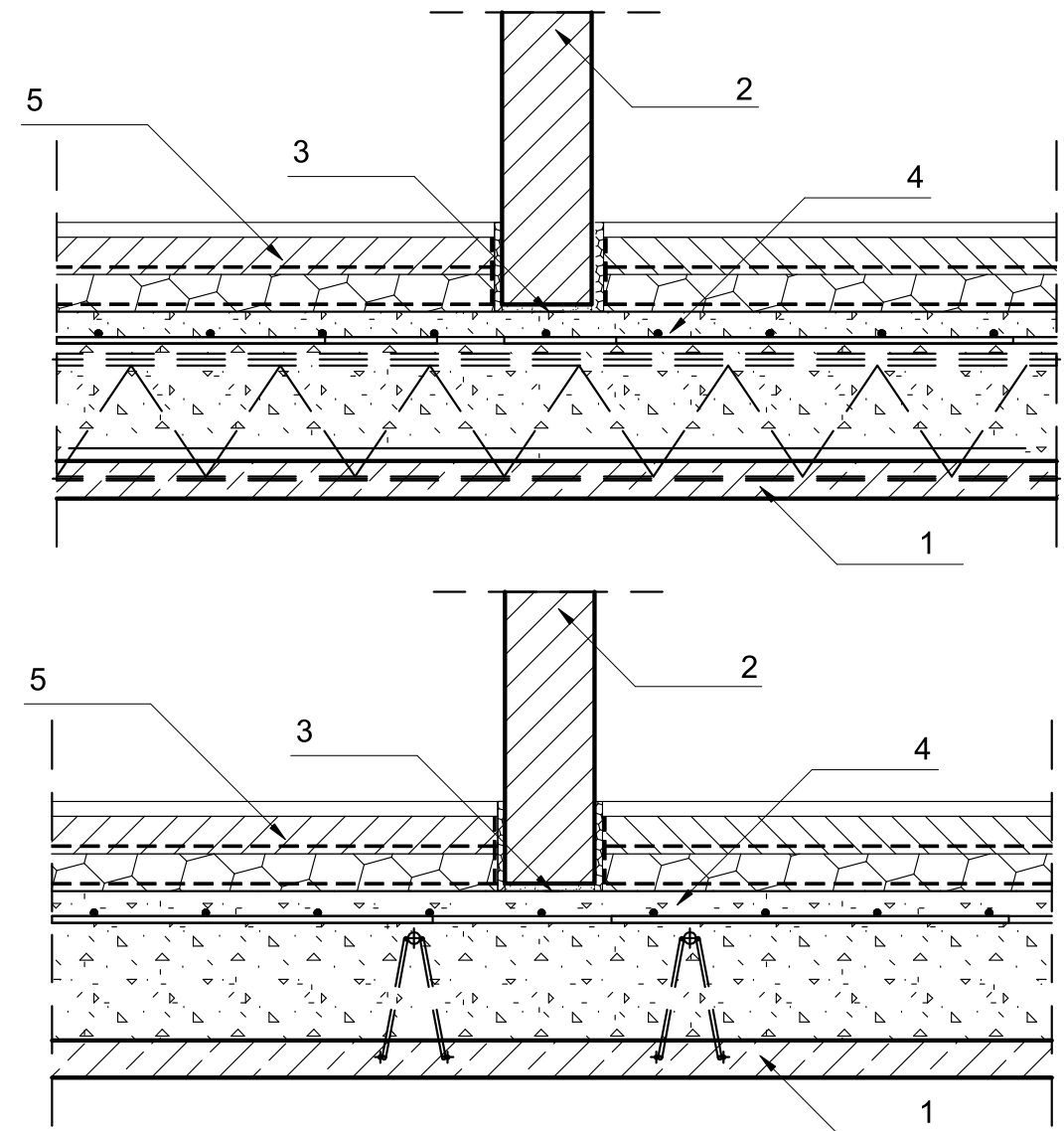
Technical Details Catalogue
 Residential Buildings

Joining the partition wall to the
 floor slab: masonry wall with
 prestressed floor slab



**PEKABEX
 System**

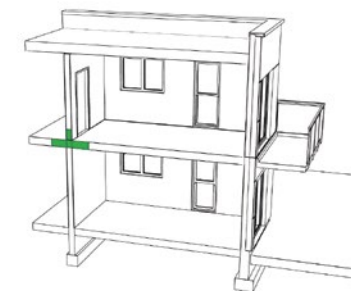
W07_C



- Key:
1. Prefabricated floor slab
 2. Masonry partition wall
 3. Non-shrink mortar
 4. Concrete
 5. Finishing layers

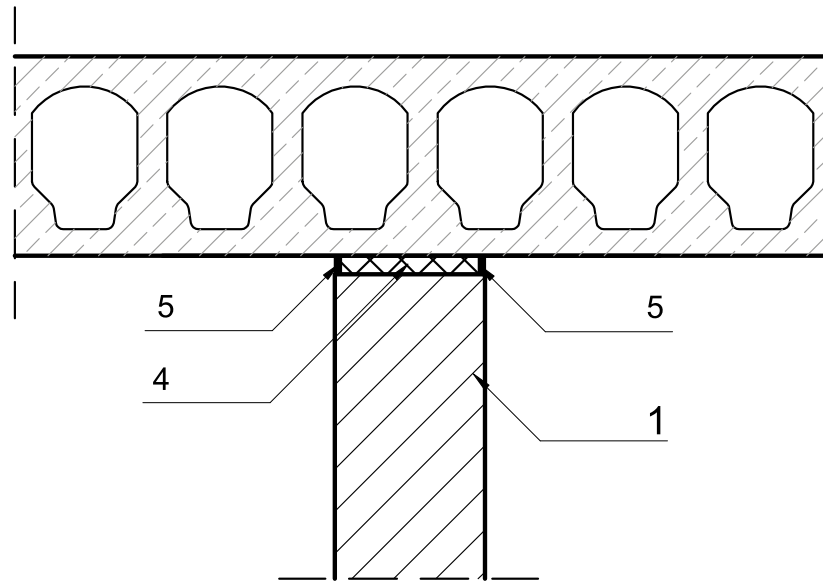
Technical Details Catalogue
 Residential Buildings

Joining the partition wall to the
 floor slab: masonry wall with
 reinforced floor slab



**PEKABEX
 System**

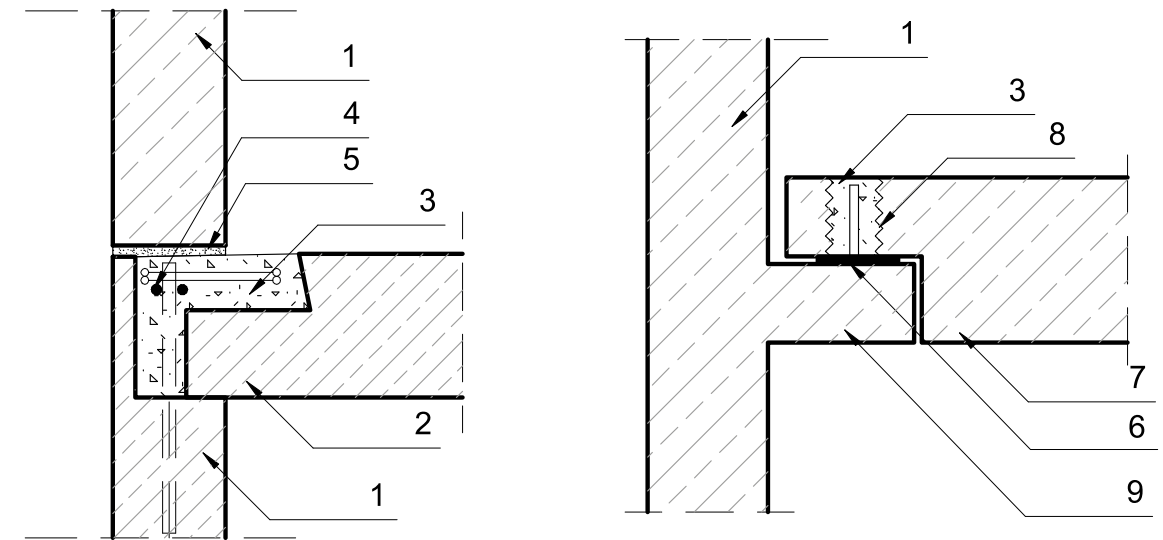
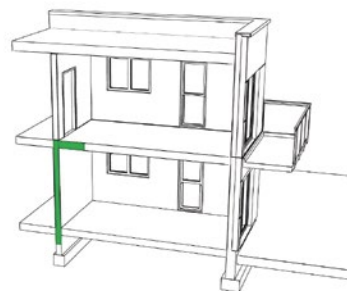
W07_D



Key:

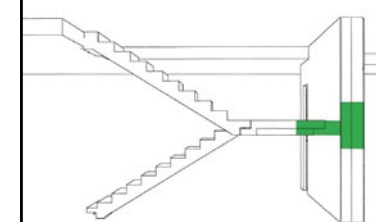
- 1. Masonry wall
- 2. Prefabricated wall
- 3. HC floor slab
- 4. Mineral wool
- 5. Fire protection silicone sealant

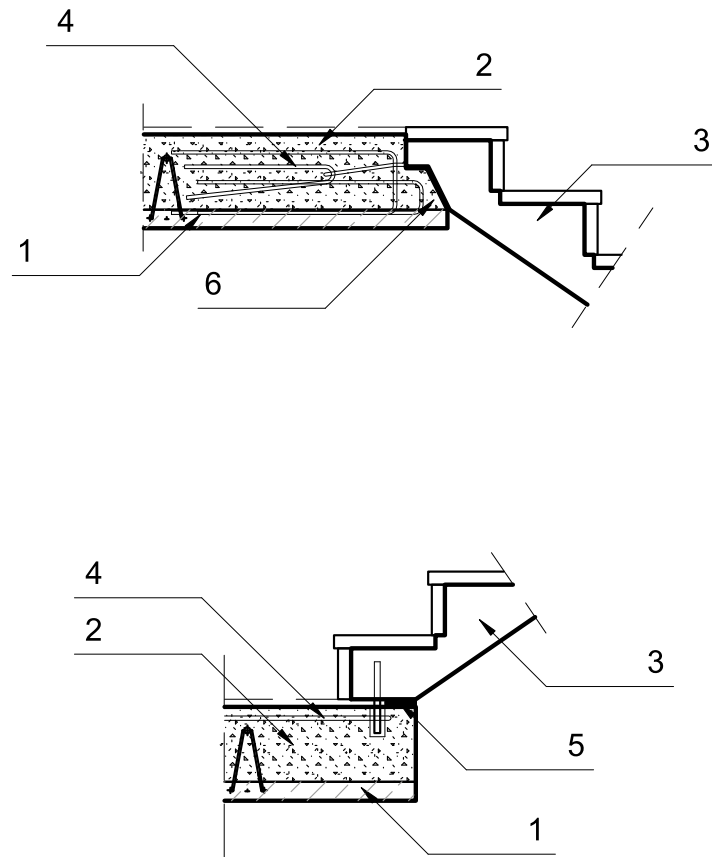
An expansion joint of 30 mm must be left under floor slabs or beams. Then, fill it with mineral wool and secure with silicone.



Key:

- 1. Interior prefabricated wall
- 2. Prefabricated slab
- 3. Concrete
- 4. Reinforcement
- 5. Non-shrink mortar
- 6. Elastomeric bearing pad
- 7. Stair flights
- 8. Corrugated duct
- 9. Mounting dowel

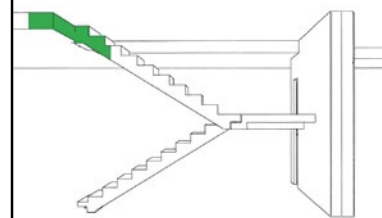




- Key:
- 1. Filigree slab
 - 2. Concrete overlay
 - 3. Stair flights
 - 4. Reinforcement
 - 5. Neoprene pad
 - 6. Concrete overlay adapted to the geometry of stairs

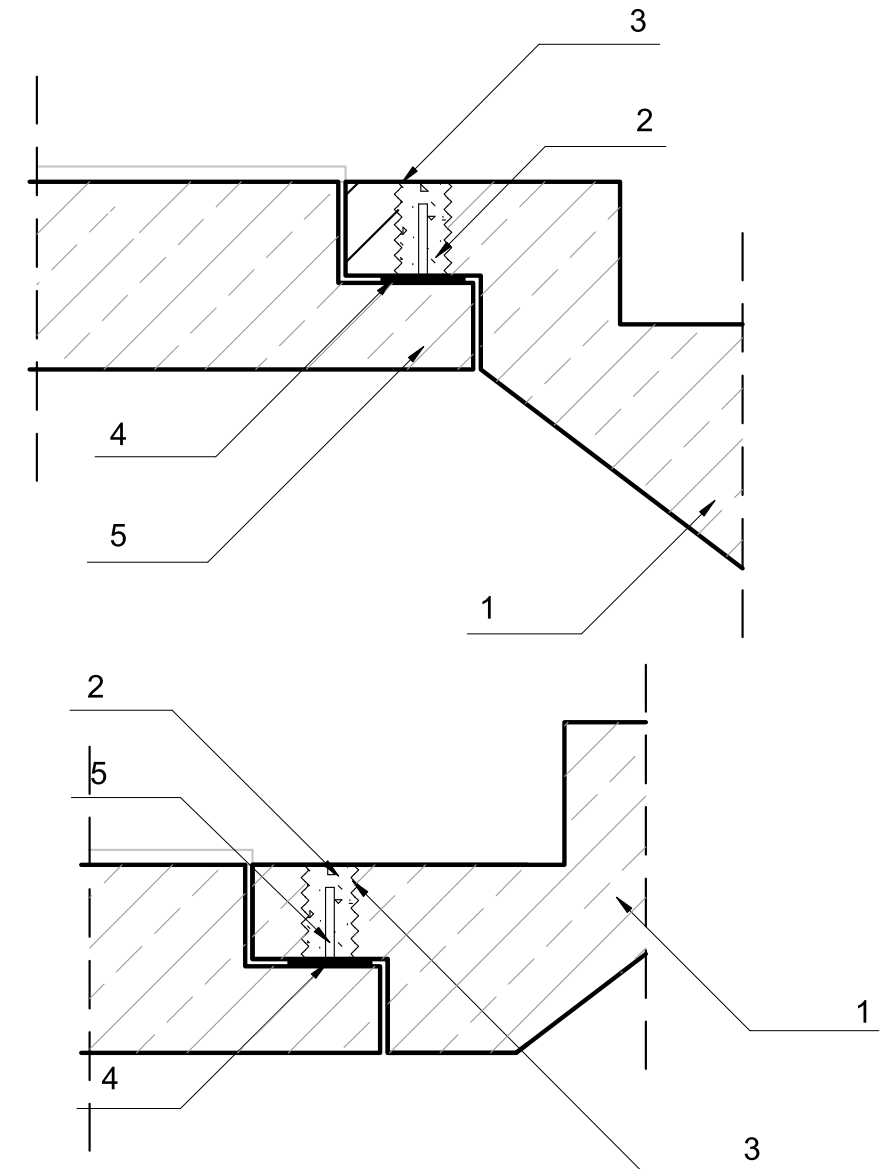
Technical Details Catalogue
 Residential Buildings

Joining of staircase elements:
 stair flights with a landing



PEKABEX
 System

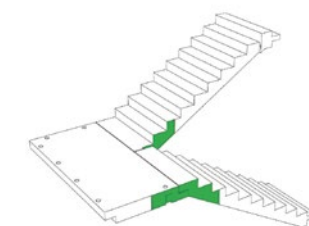
W08_B



- Key:
- 1. Stair flights
 - 2. Mortar
 - 3. Corrugated duct
 - 4. Elastomeric bearing pad
 - 5. Pin

Technical Details Catalogue
 Residential Buildings

Joining of staircase elements:
 stair flights with a floor slab



PEKABEX
 System

W08_C



Exterior Details

Exterior prefabricated wall joints

Joining prefabricated exterior walls in the corner

Joining an exterior pre-fabricated wall to the HC floor slab

Joining an exterior pre-fabricated wall to the solid floor slab

Joining an exterior pre-fabricated wall to the reinforced filigree floor slab

Joining an exterior pre-fabricated wall to the prestressed filigree floor slab

Joining a prefabricated exterior wall to balcony slab and floor slab

Joining an exterior pre-fabricated wall to the exterior area without subterranean levels

Joining an exterior pre-fabricated wall to the exterior area with a subterranean level

Joining the parapet to the roof

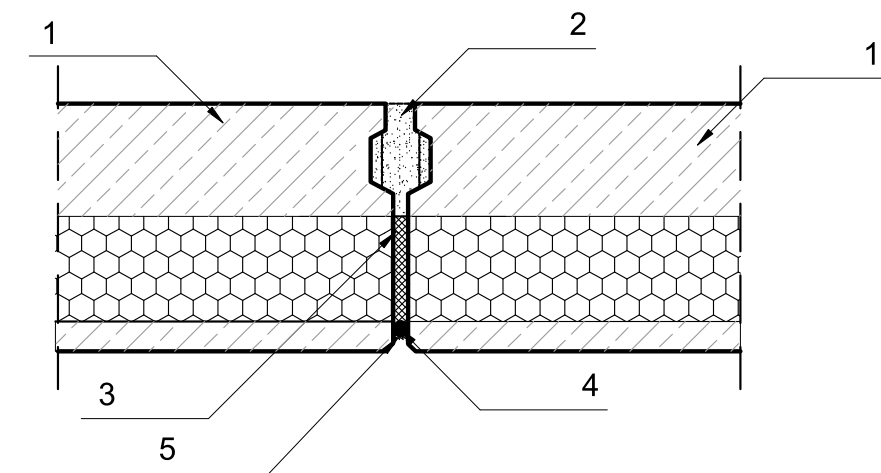
Joining the parapet to green roof slab

Joining a three-layer prefabricated exterior wall to a window

Joining a three-layer prefabricated exterior wall to window cavity closer

Pekabex Bet S.A.
ul. Szarych Szeregów 27
60-462 Poznań
www.pekabex.pl

 **Pekabex**

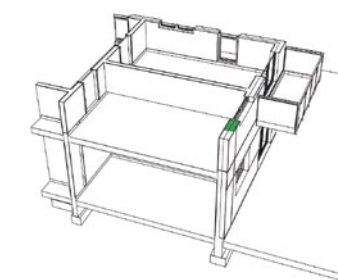


Key:

1. Three-layer prefabricated exterior wall
2. Non-shrink mortar
3. Thermal insulation added on assembly
4. Backing strip
5. Flexible putty

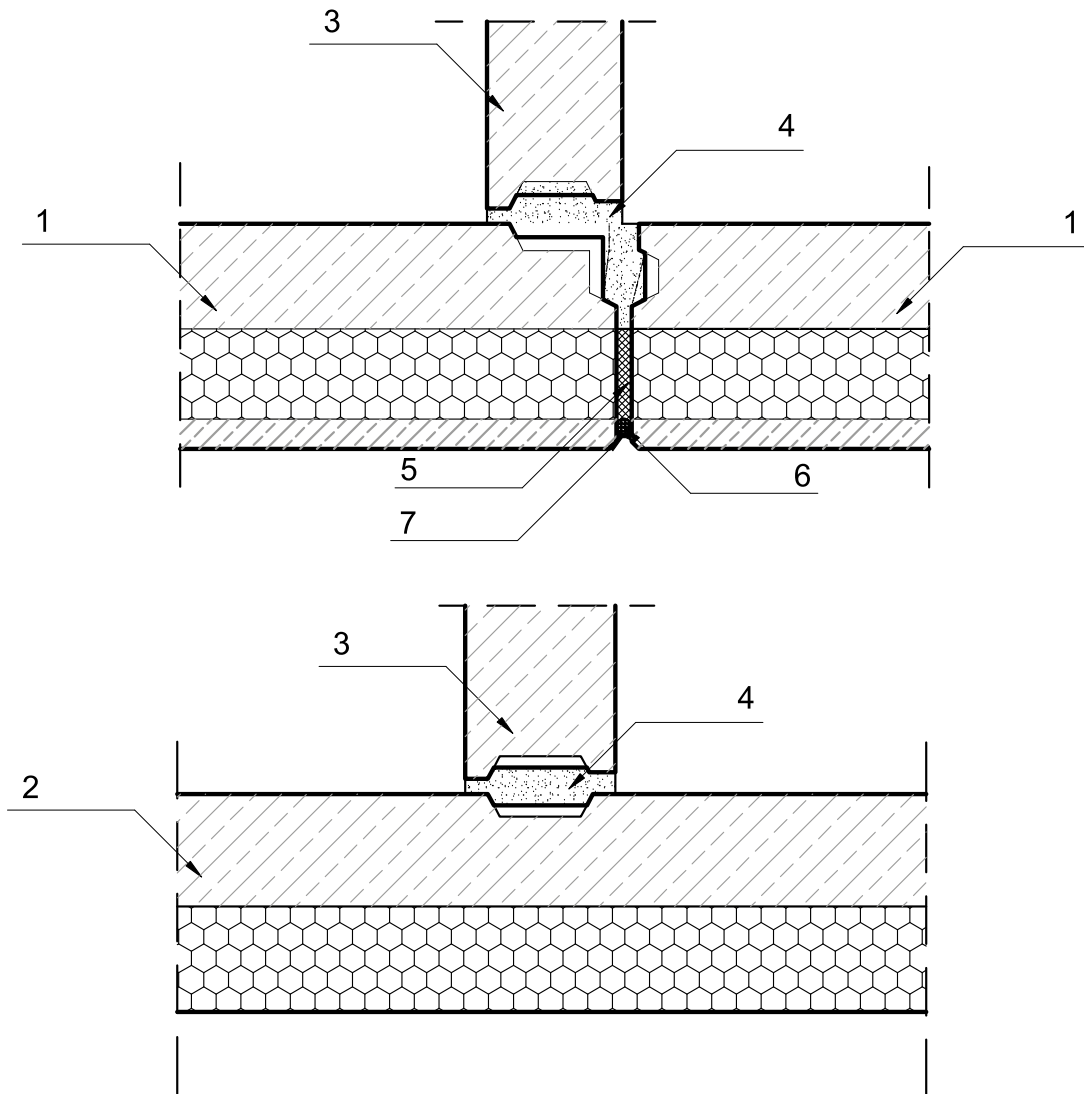
Technical Details Catalogue
Residential Buildings

Prefabricated wall
joints: exterior three-layer walls
end-to-end



**PEKABEX
System**

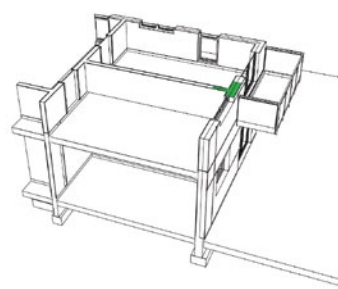
Z01_A



- Key:
1. Three-layer prefabricated exterior wall
 2. Double-layer prefabricated exterior wall
 3. Interior prefabricated wall
 4. Non-shrink mortar
 5. Thermal insulation added on assembly
 6. Backing strip
 7. Flexible putty

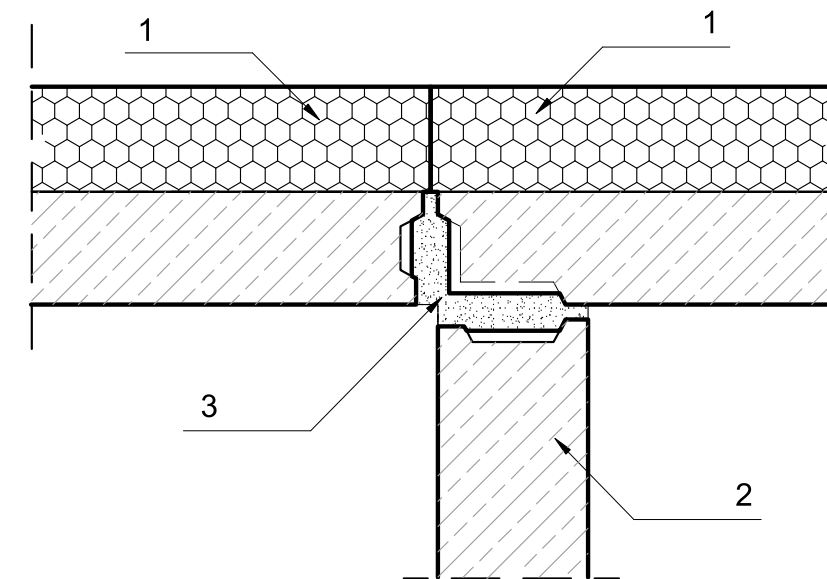
Technical Details Catalogue
 Residential Buildings

Joining prefabricated walls: three-layer exterior and interior single-layer perpendicular



PEKABEX System

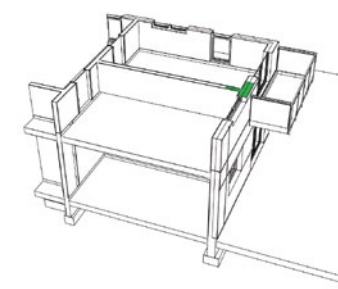
Z01_B



- Key:
1. Double-layer prefabricated exterior wall
 2. Interior prefabricated wall
 3. Non-shrink mortar

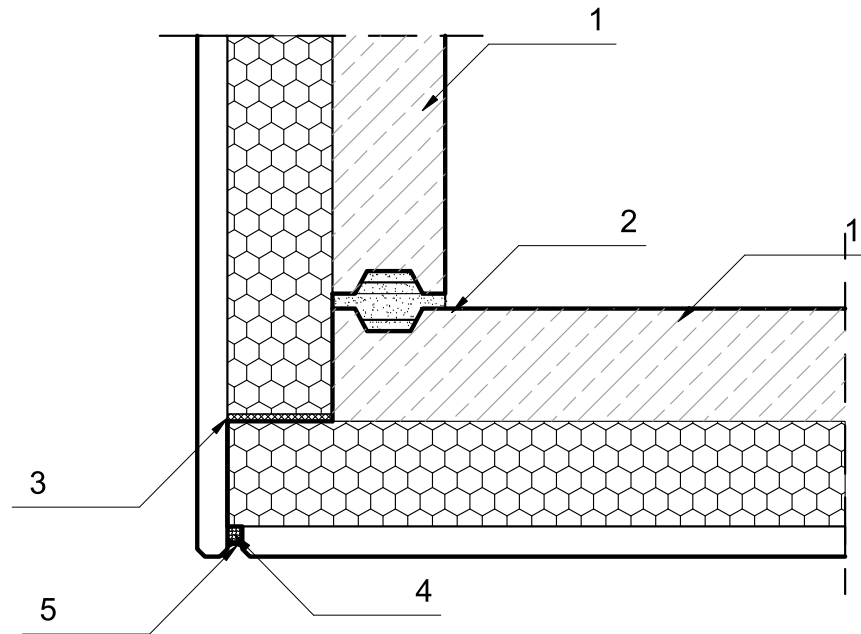
Technical Details Catalogue
 Residential Buildings

Prefabricated wall joints: exterior double-layer and interior single-layer perpendicular



PEKABEX System

Z01_C

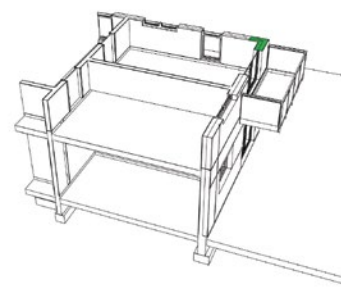


Key:

- 1. Three-layer prefabricated exterior wall
- 2. Non-shrink mortar
- 3. Thermal insulation added on assembly
- 4. Backing strip
- 5. Flexible putty

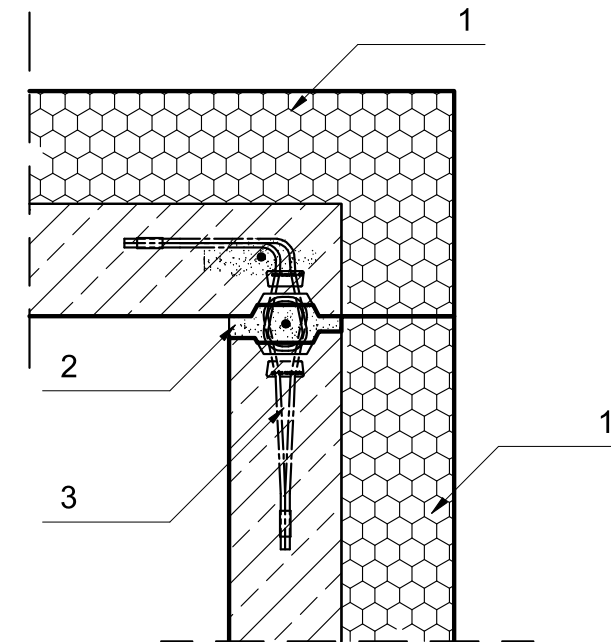
Technical Details Catalogue
 Residential Buildings

Joining prefabricated exterior
 walls in the corner:
 three-layer walls perpendicular



**PEKABEX
 System**

Z02_A

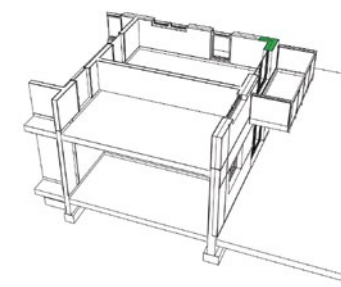


Key:

- 1. Double-layer prefabricated exterior wall
- 2. Non-shrink mortar
- 3. Rope loop

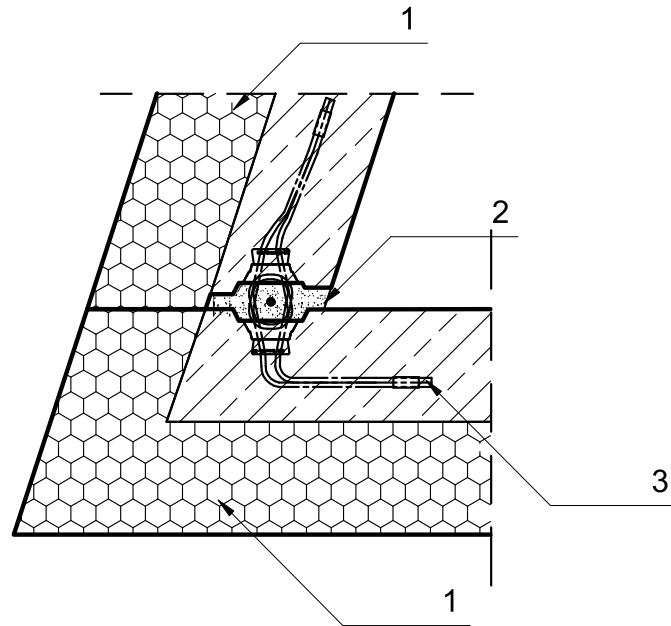
Technical Details Catalogue
 Residential Buildings

Joining prefabricated exterior
 walls in the corner:
 double-layer walls perpendicular



**PEKABEX
 System**

Z02_B

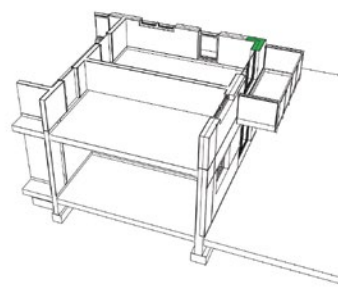


Key:

- 1. Double-layer prefabricated exterior wall
- 2. Non-shrink mortar
- 3. Rope loop

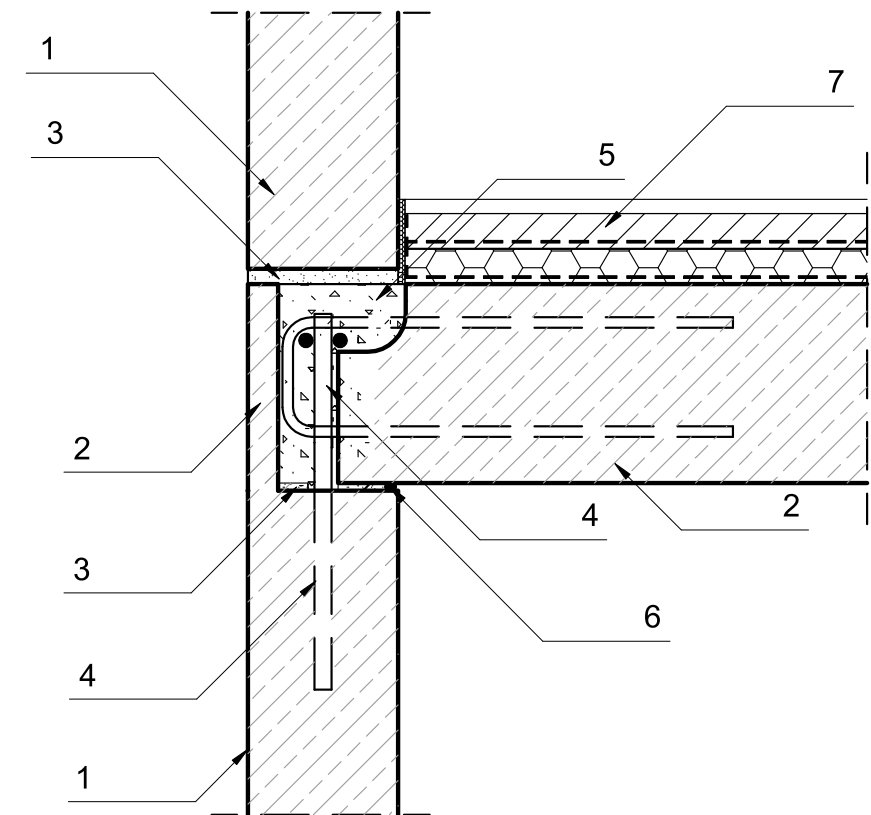
Technical Details Catalogue
 Residential Buildings

Joining prefabricated exterior
 walls in the corner:
 double-layer walls at an acute
 angle



**PEKABEX
 System**

Z02_C

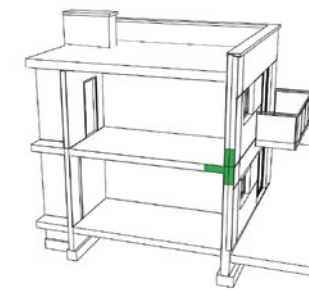


Key:

- 1. Single-layer prefabricated exterior wall
- 2. HC slab
- 3. Non-shrink mortar
- 4. Reinforcement
- 5. Concrete
- 6. Backing strip
- 7. Finishing layers

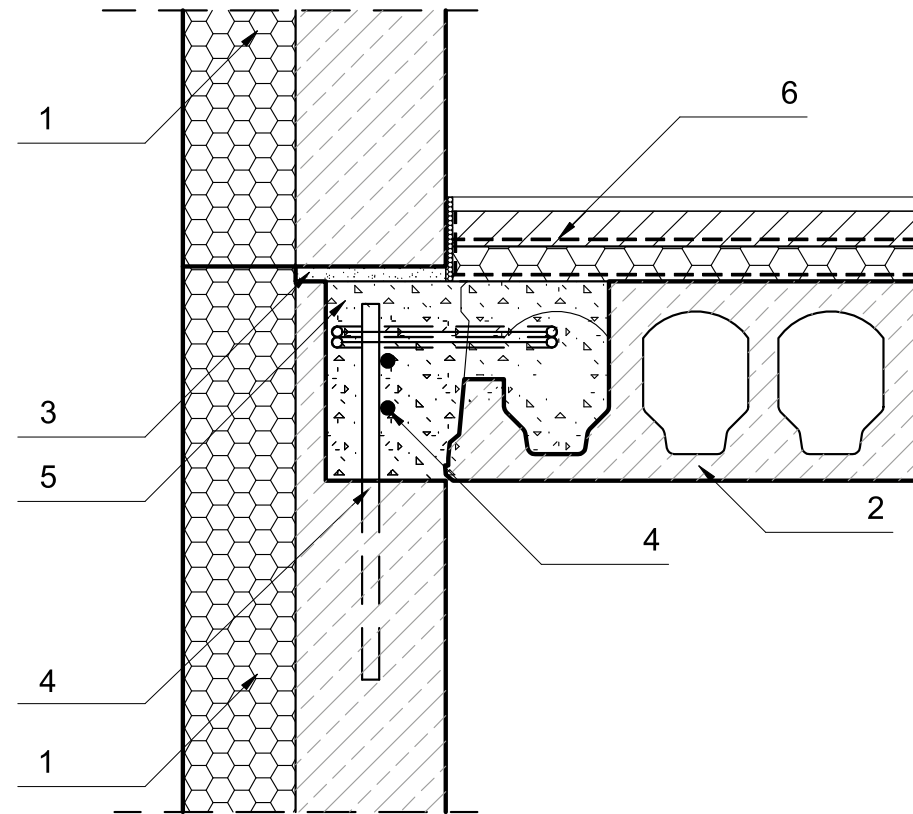
Technical Details Catalogue
 Residential Buildings

Joining an exterior pre-fabricated
 wall to HC floor slab: single-layer
 wall with floor slab supported on
 one side



**PEKABEX
 System**

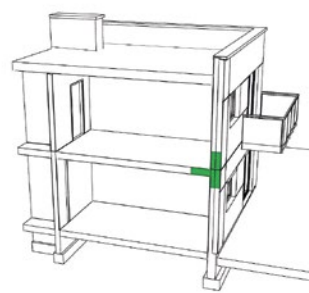
Z03_A



- Key:
- 1. Interior prefabricated wall
 - 2. HC slab
 - 3. Non-shrink mortar
 - 4. Reinforcement
 - 5. Concrete
 - 6. Finishing layers

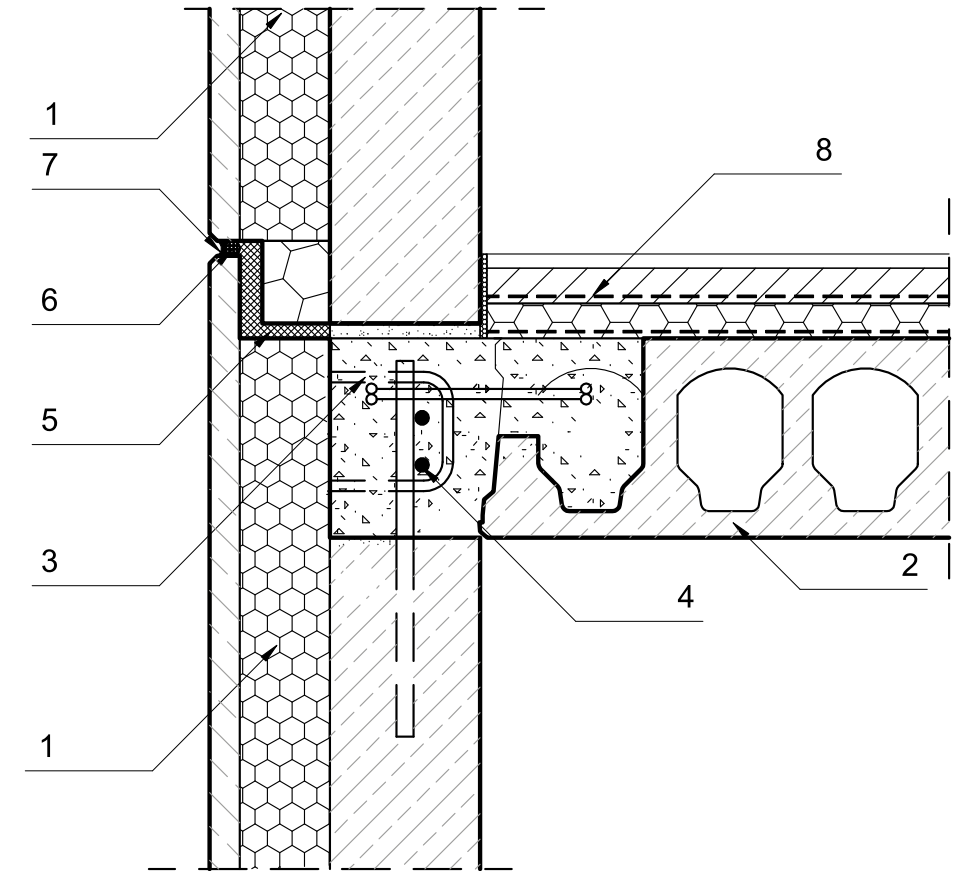
Technical Details Catalogue
 Residential Buildings

Joining an exterior pre-fabricated wall to HC floor slab: double-layer wall with floor slab adjoining on one side



PEKABEX System

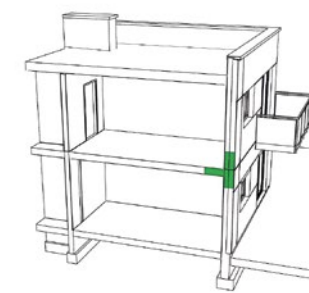
Z03_B



- Key:
- 1. Three-layer prefabricated exterior wall
 - 2. HC slab
 - 3. Reinforcement
 - 4. Mortar
 - 5. Thermal insulation added on assembly
 - 6. Backing strip
 - 7. Flexible putty
 - 8. Finishing layers

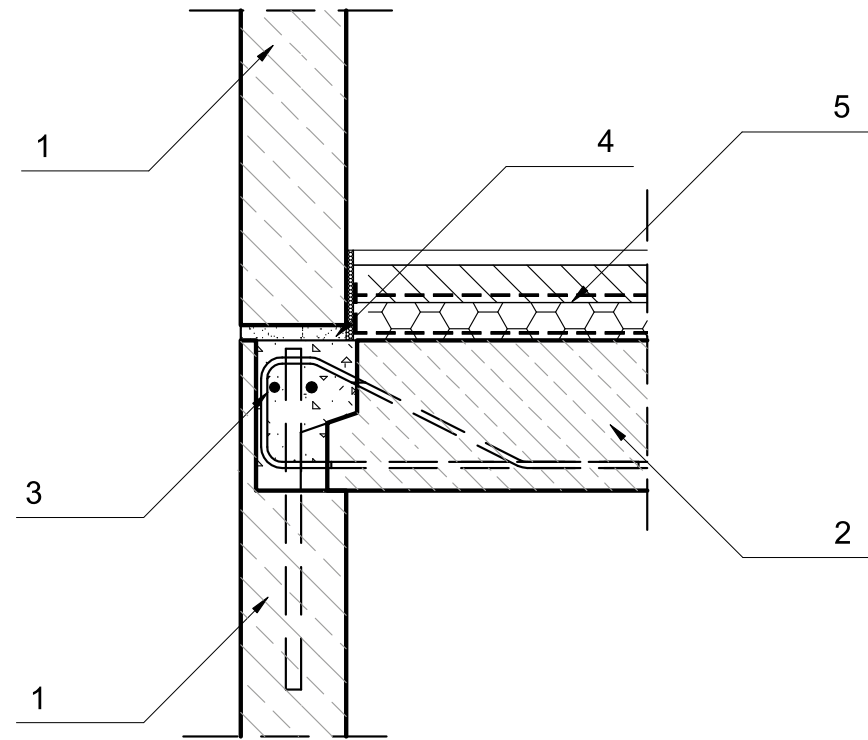
Technical Details Catalogue
 Residential Buildings

Joining an exterior pre-fabricated wall to HC floor slab: three-layer wall with floor slab adjoining on one side



PEKABEX System

Z03_C

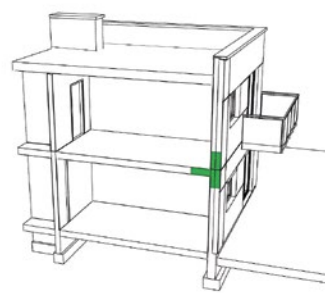


Key:

- 1. Single-layer prefabricated exterior wall
- 2. Solid floor slab
- 3. Reinforcement
- 4. Non-shrink mortar
- 5. Finishing layers

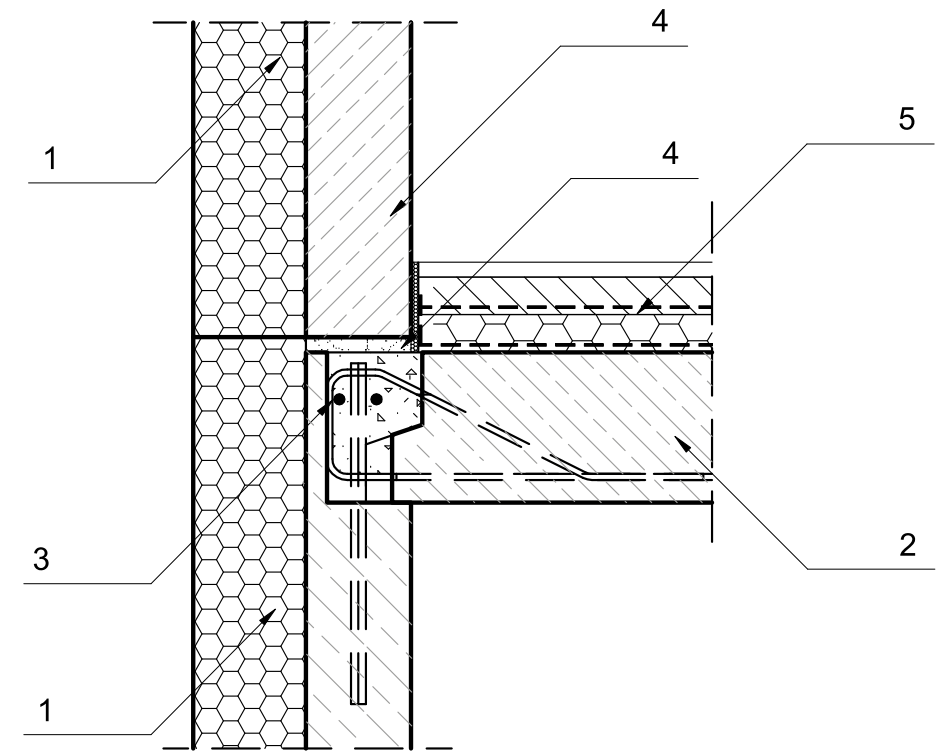
Technical Details Catalogue
 Residential Buildings

Joining an exterior pre-fabricated wall to solid floor slab: single-layer wall with floor slab supported on one side



**PEKABEX
 System**

Z04_A

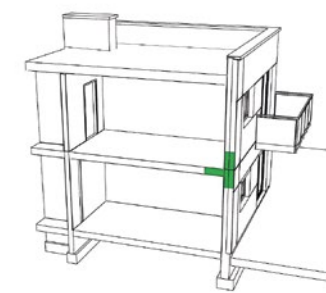


Key:

- 1. Double-layer prefabricated exterior wall
- 2. Solid floor slab
- 3. Reinforcement
- 4. Non-shrink mortar
- 5. Finishing layers

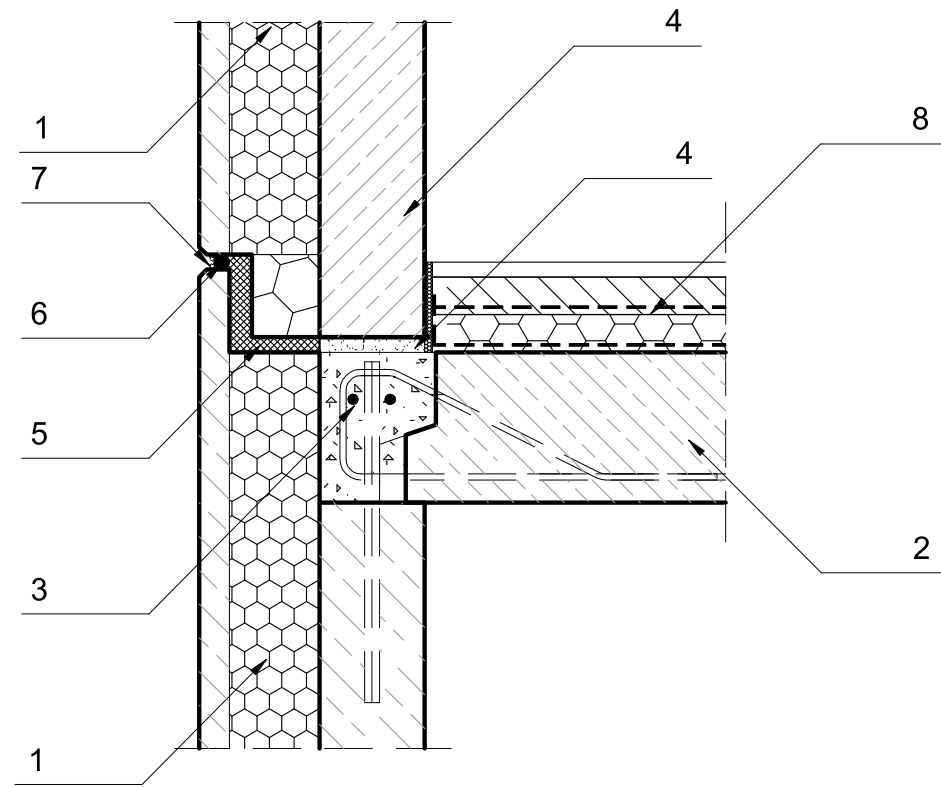
Technical Details Catalogue
 Residential Buildings

Joining an exterior pre-fabricated wall to the solid floor slab: double-layer wall with floor slab supported on one side



**PEKABEX
 System**

Z04_B

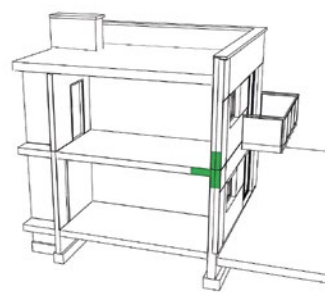


Key:

- 1. Three-layer prefabricated exterior wall
- 2. Solid floor slab
- 3. Reinforcement
- 4. Non-shrink mortar
- 5. Thermal insulation added on assembly
- 6. Backing strip
- 7. Flexible putty
- 8. Finishing layers

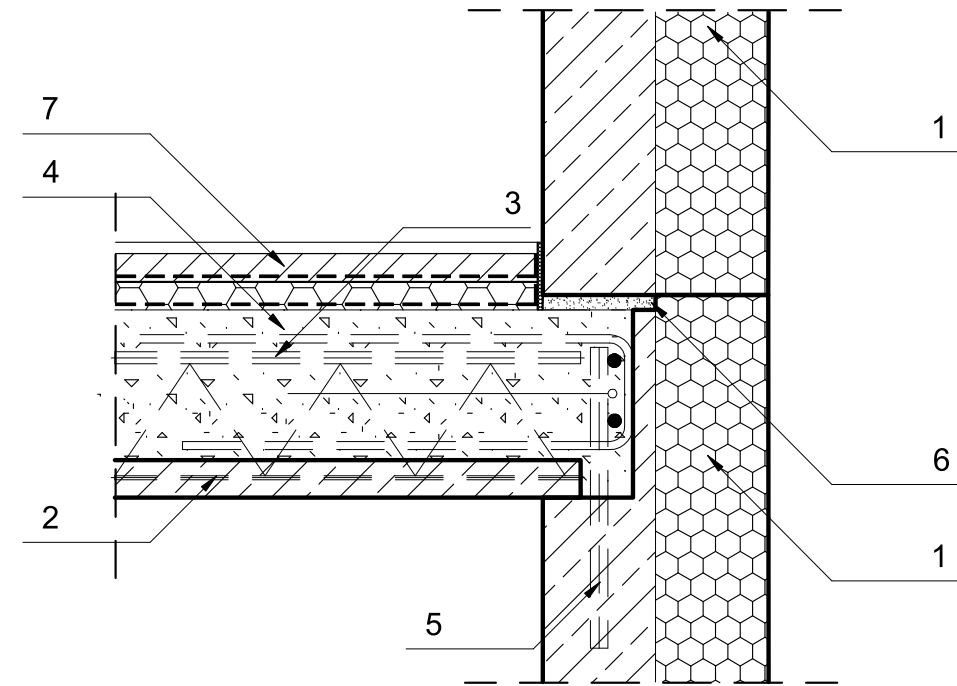
Technical Details Catalogue
 Residential Buildings

Joining an exterior pre-fabricated wall to the solid floor slab: three-layer wall with floor slab supported on one side



PEKABEX System

Z04_C

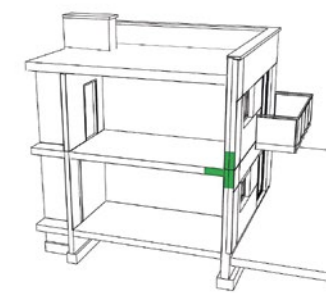


Key:

- 1. Double-layer prefabricated wall
- 2. Filigree slab
- 3. Reinforcement
- 4. Concrete overlay
- 5. Pin
- 6. Non-shrink mortar
- 7. Finishing layers

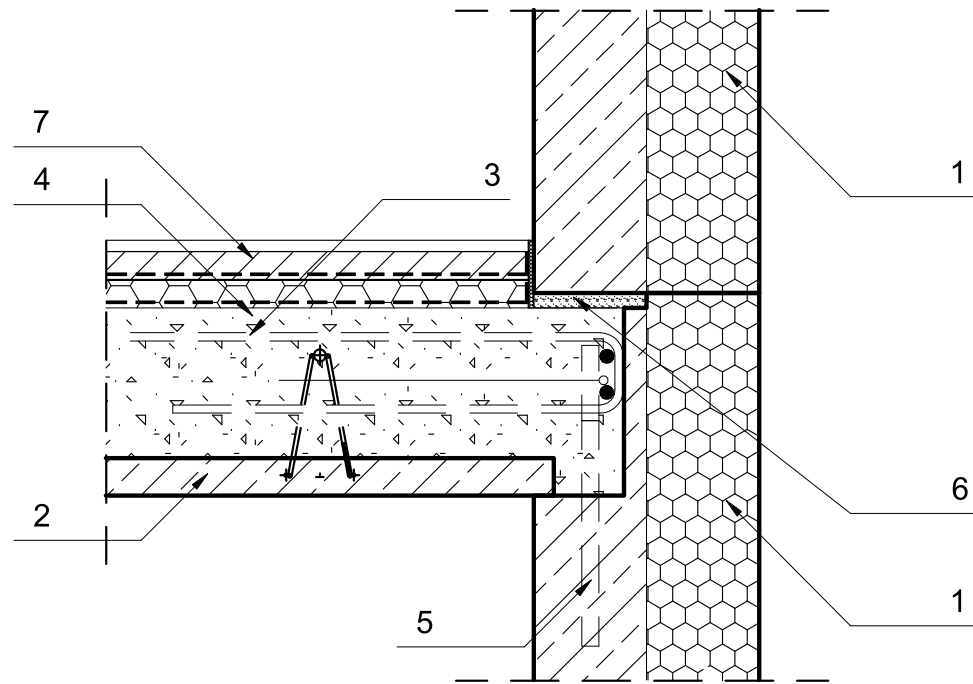
Technical Details Catalogue
 Residential Buildings

Joining an exterior prefabricated wall to the reinforced filigree floor slab: double-layer wall with floor slab supported on one side



PEKABEX System

Z05_A

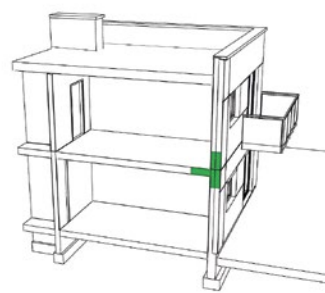


Key:

1. Double-layer prefabricated wall
2. Filigree slab
3. Reinforcement
4. Concrete overlay
5. Pin
6. Non-shrink mortar
7. Finishing layers

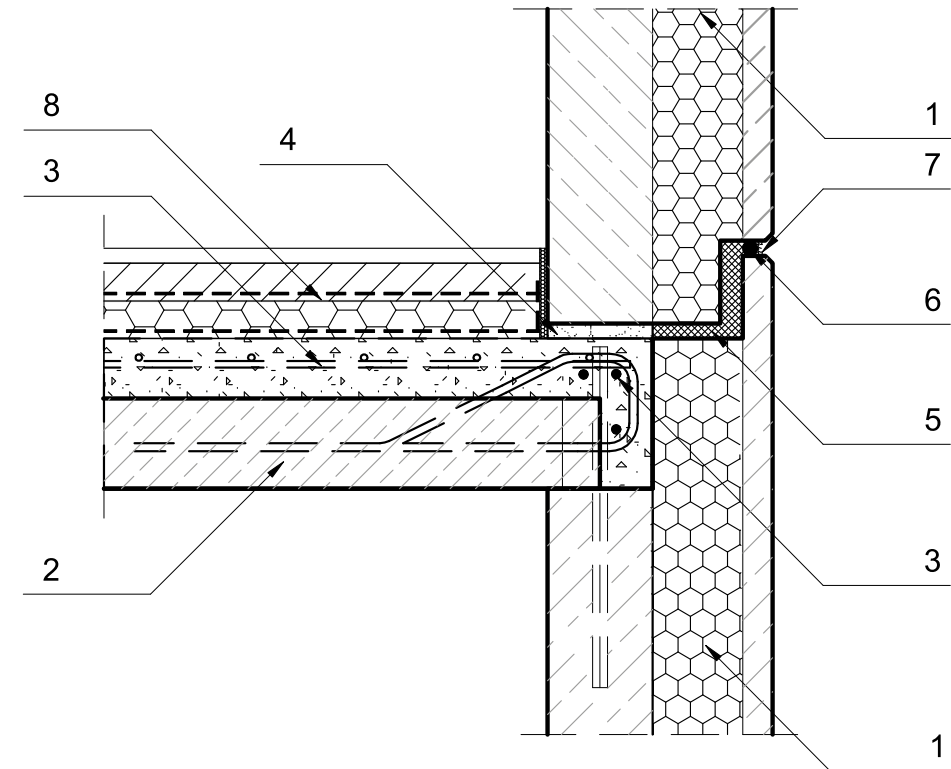
Technical Details Catalogue
 Residential Buildings

Joining an exterior prefabricated wall to the reinforced filigree floor slab: double-layer wall with floor slab adjoining on one side



**PEKABEX
 System**

Z05_B

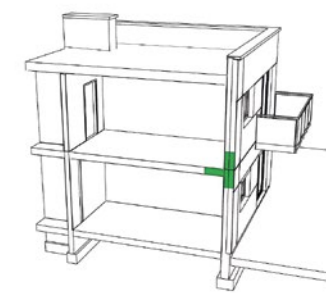


Key:

1. Exterior prefabricated wall
2. Filigree prestressed floor slab
3. Reinforcement
4. Non-shrink mortar
5. Thermal insulation added on assembly
6. Backing strip
7. Flexible putty
8. Finishing layers

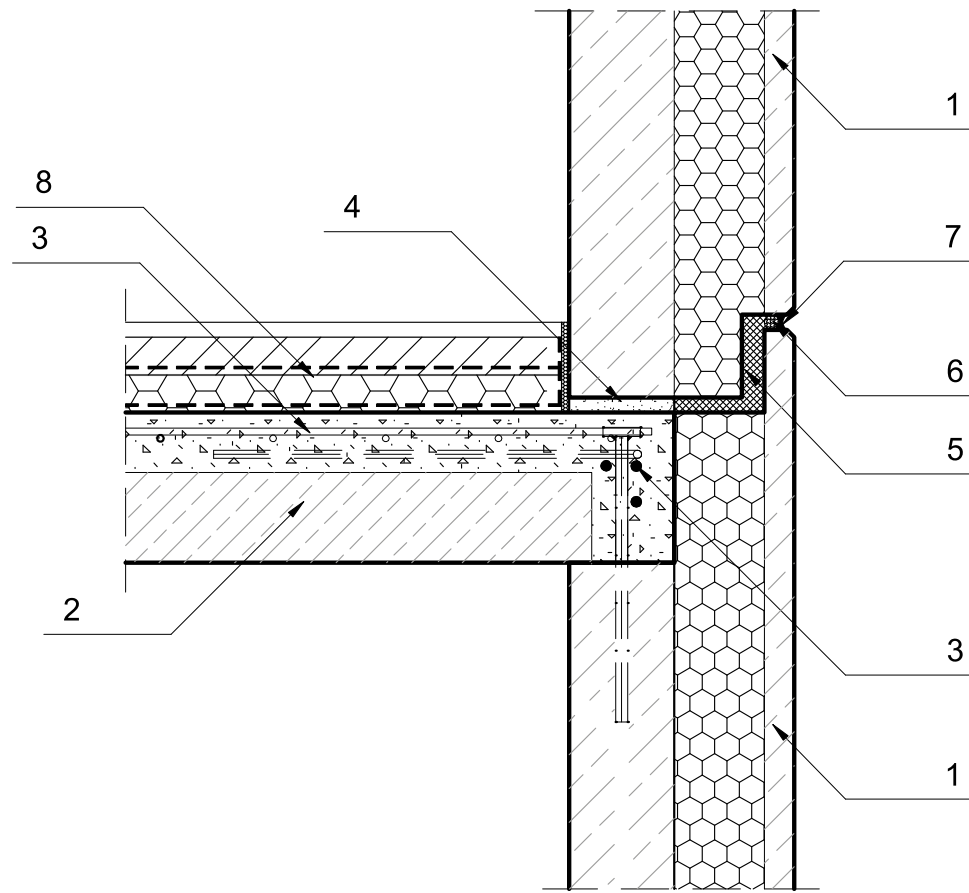
Technical Details Catalogue
 Residential Buildings

Joining an interior pre-fabricated wall to the prestressed filigree floor slab: three-layer wall with floor slab supported on one side



**PEKABEX
 System**

Z06_A

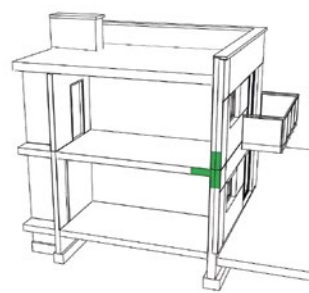


Key:

1. Exterior prefabricated wall
2. Filigree prestressed floor slab
3. Reinforcement
4. Non-shrink mortar
5. Thermal insulation added on assembly
6. Backing strip
7. Flexible putty
8. Finishing layers

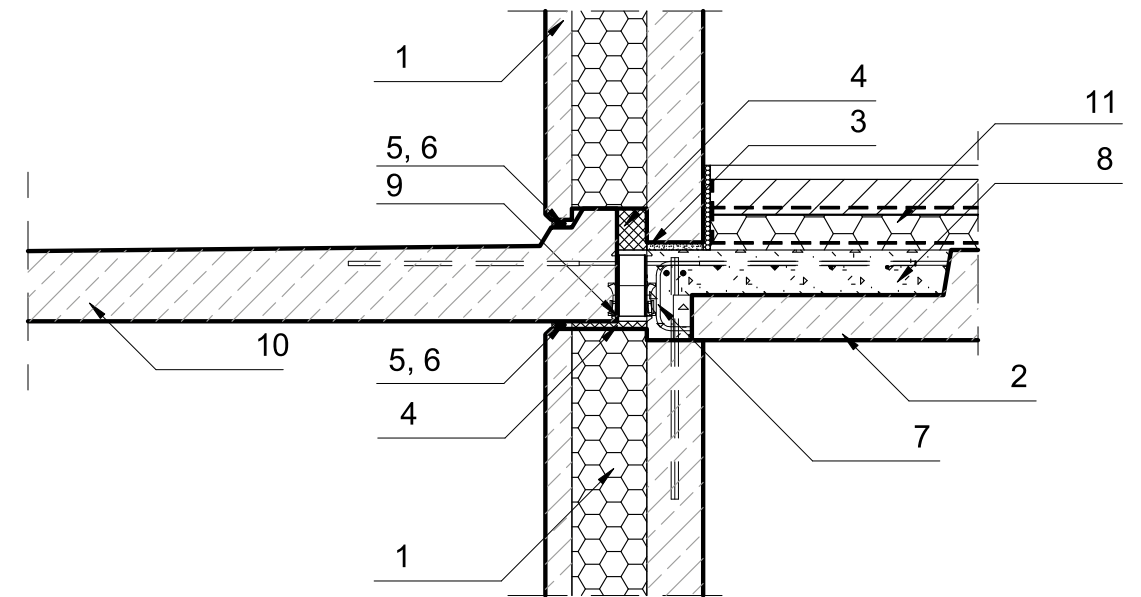
Technical Details Catalogue
 Residential Buildings

Joining an interior pre-fabricated wall to the prestressed filigree floor slab: three-layer wall with floor slab adjoining on one side



PEKABEX System

Z06_B

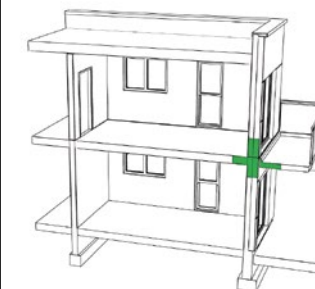


Key:

1. Three-layer prefabricated exterior wall
2. Prefabricated floor slab
3. Mortar
4. Thermal insulation added on site
5. Backing strip
6. Flexible putty
7. Reinforcement
8. Concrete
9. Balcony joint
10. Balcony slab
11. Finishing layers

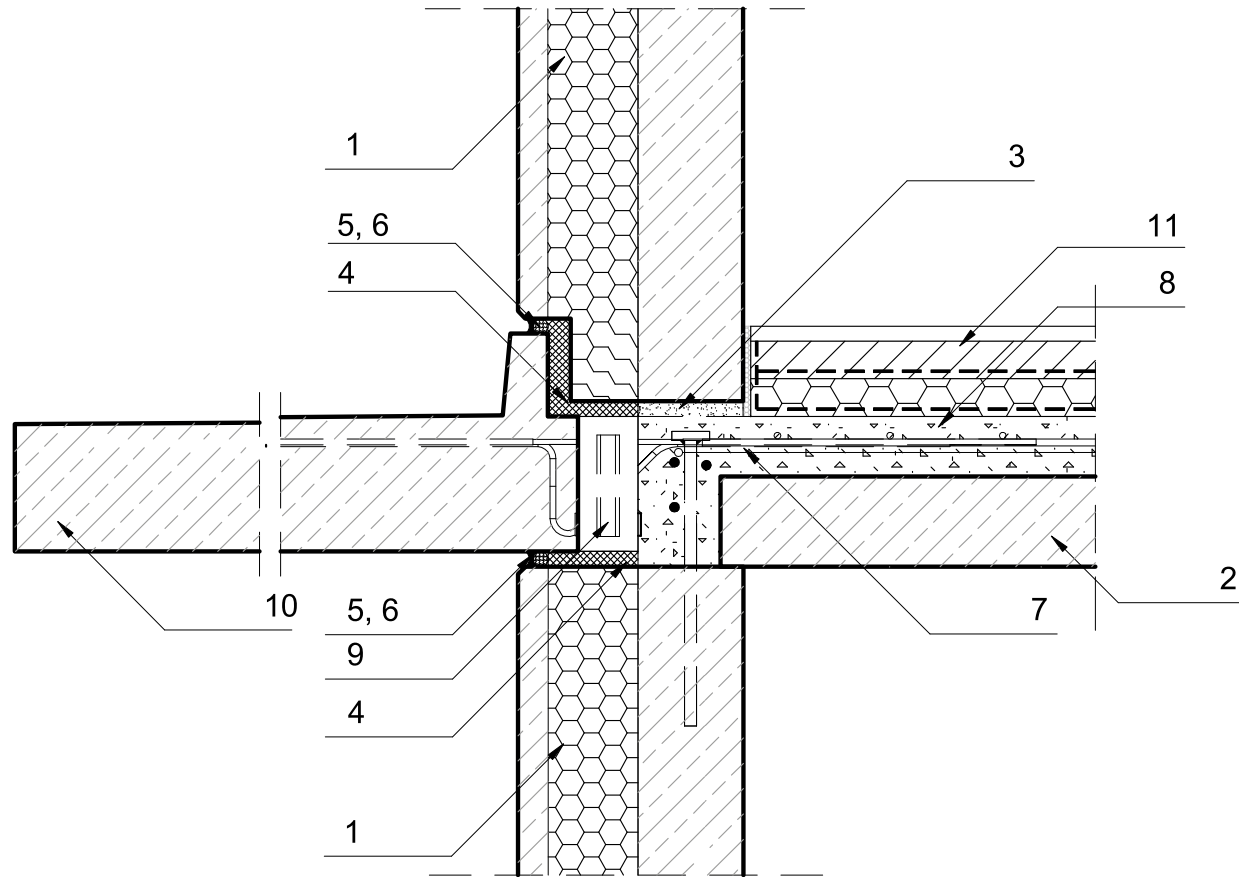
Technical Details Catalogue
 Residential Buildings

Joining a prefabricated exterior wall to balcony slab and floor slab: three-layer wall with supported floor slab



PEKABEX System

Z07_A

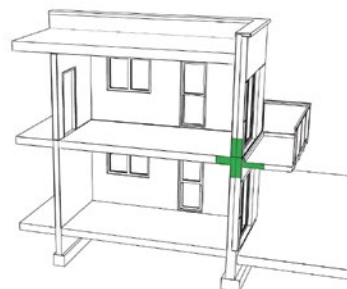


Key:

- 1. Three-layer prefabricated exterior wall
- 2. Prefabricated floor slab
- 3. Mortar
- 4. Thermal insulation added on site
- 5. Backing strip
- 6. Flexible putty
- 7. Reinforcement
- 8. Concrete
- 9. Balcony joint
- 10. Balcony slab
- 11. Finishing layers

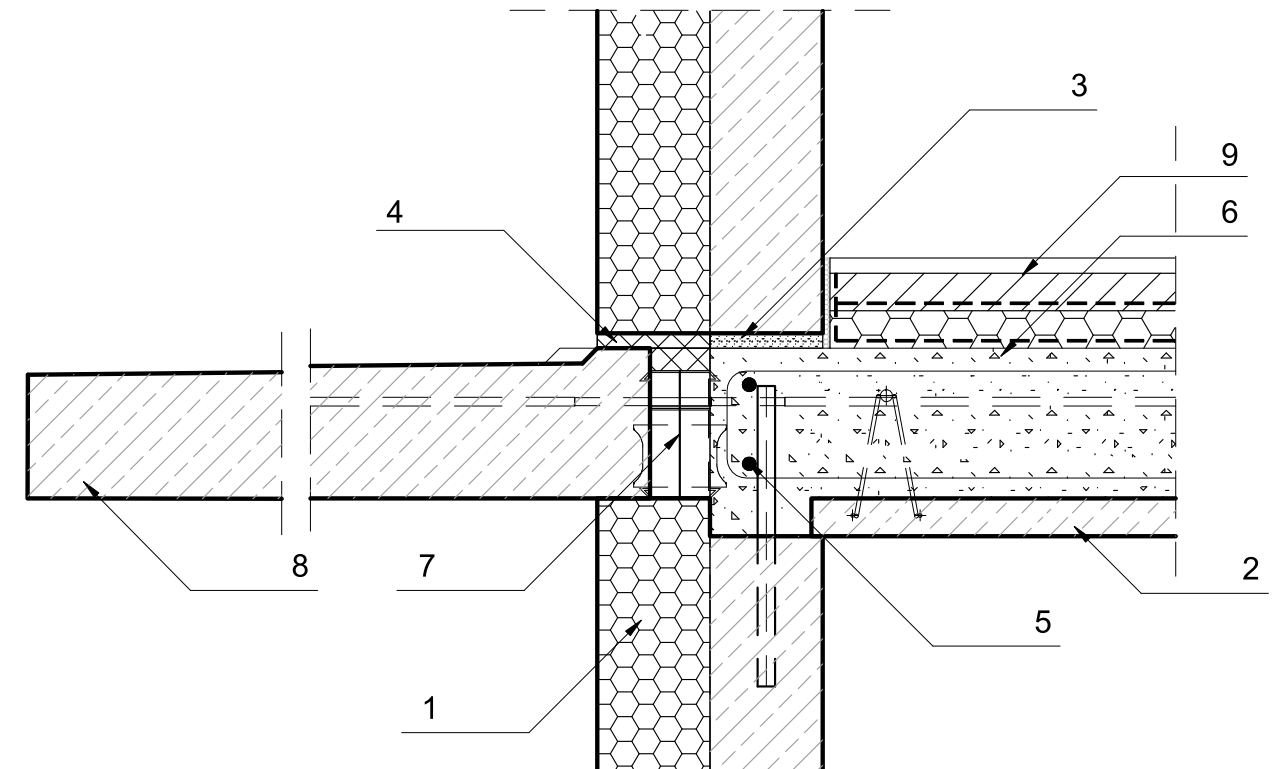
Technical Details Catalogue
 Residential Buildings

Joining a prefabricated exterior wall to balcony slab and floor slab: three-layer wall with adjoining floor slab



PEKABEX System

Z07_B

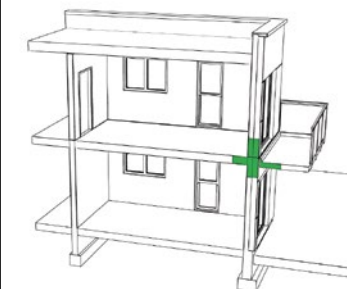


Key:

- 1. Double-layer prefabricated exterior wall
- 2. Filigree floor slab
- 3. Mortar
- 4. Thermal insulation added on site
- 5. Reinforcement
- 6. Concrete
- 7. Balcony joint
- 8. Balcony slab
- 9. Finishing layers

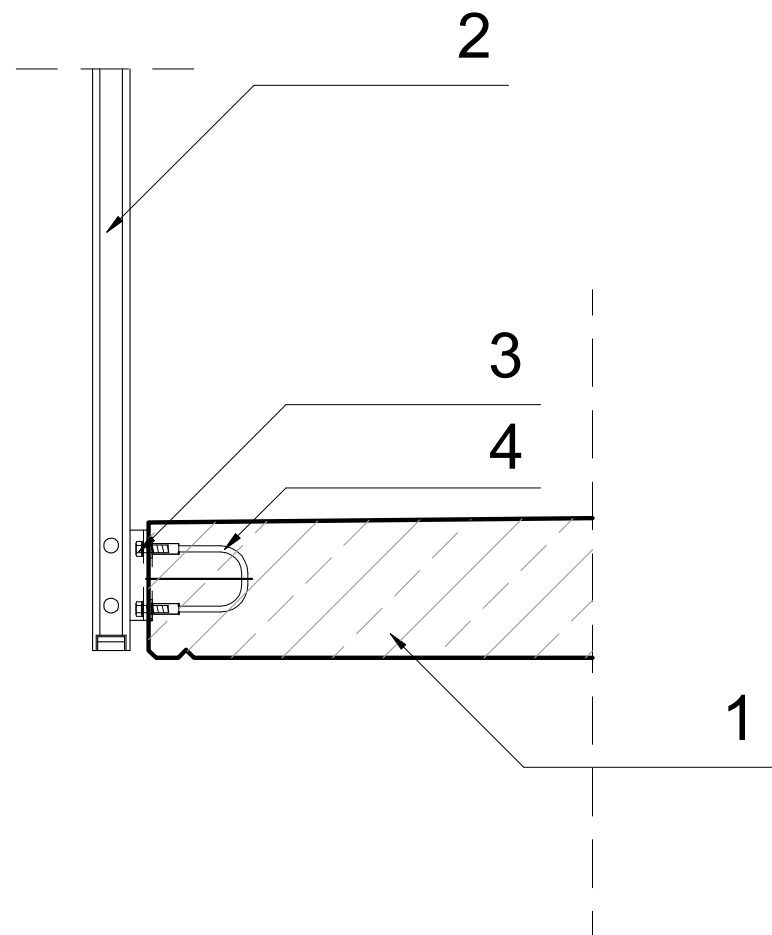
Technical Details Catalogue
 Residential Buildings

Joining a prefabricated exterior wall to balcony slab and floor slab: double-layer wall with filigree floor slab



PEKABEX System

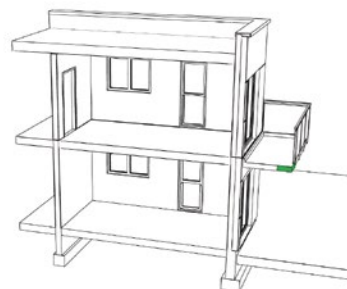
Z07_C



- Key:
- 1. Balcony slab
 - 2. Railing
 - 3. Fixing to railings
 - 4. Mounting accessories

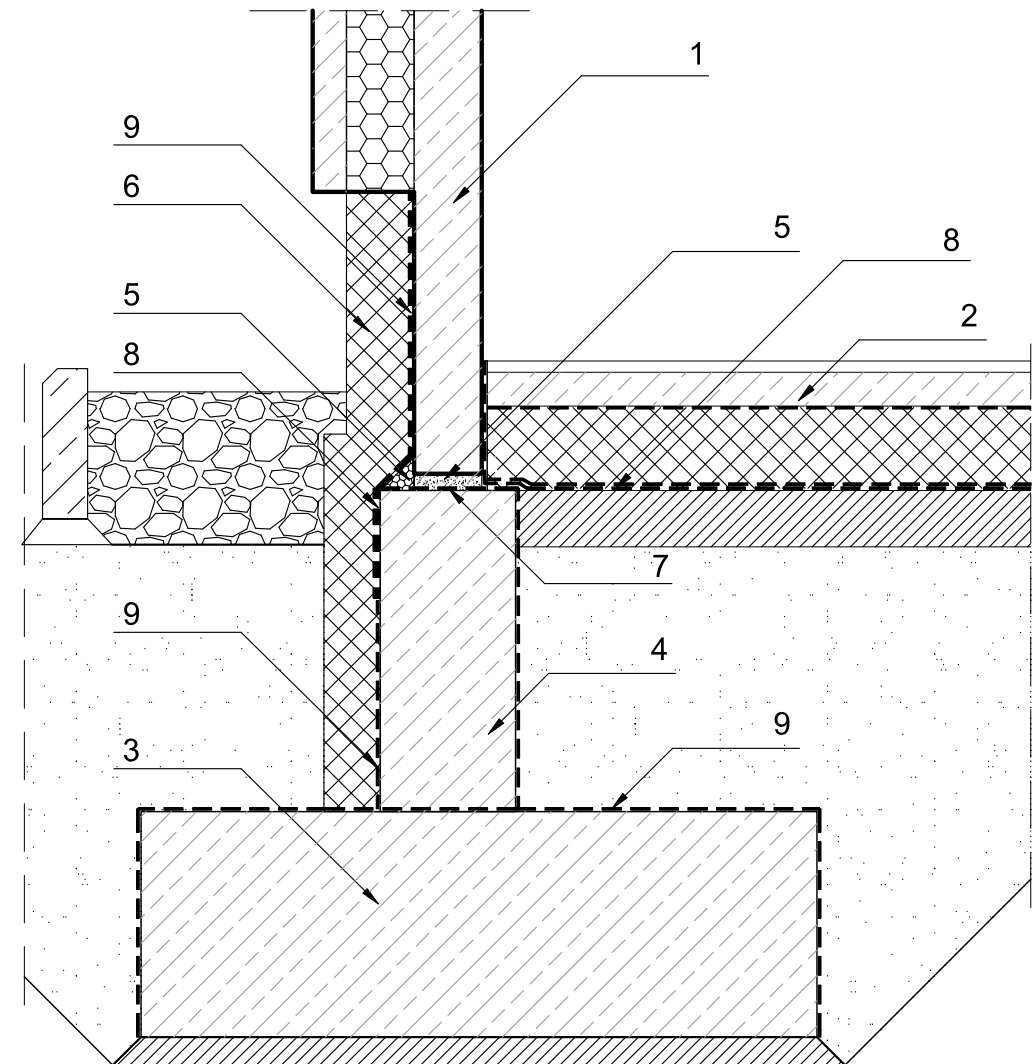
Technical Details Catalogue
 Residential Buildings

Joining a prefabricated exterior wall to balcony slab and floor slab: detail of railing attachment to the balcony slab



PEKABEX System

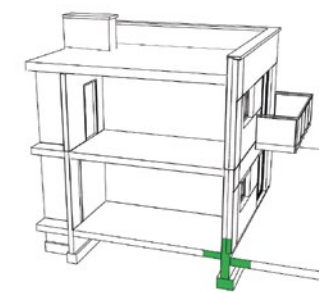
Z07_D



- Key:
- 1. Three-layer prefabricated exterior wall
 - 2. Ground slab
 - 3. Monolithic foundation
 - 4. Monolithic wall
 - 5. Mortar
 - 6. Thermal insulation + plaster added on site
 - 7. Horizontal insulation
 - 8. Torch-on felt
 - 9. Waterproof membrane

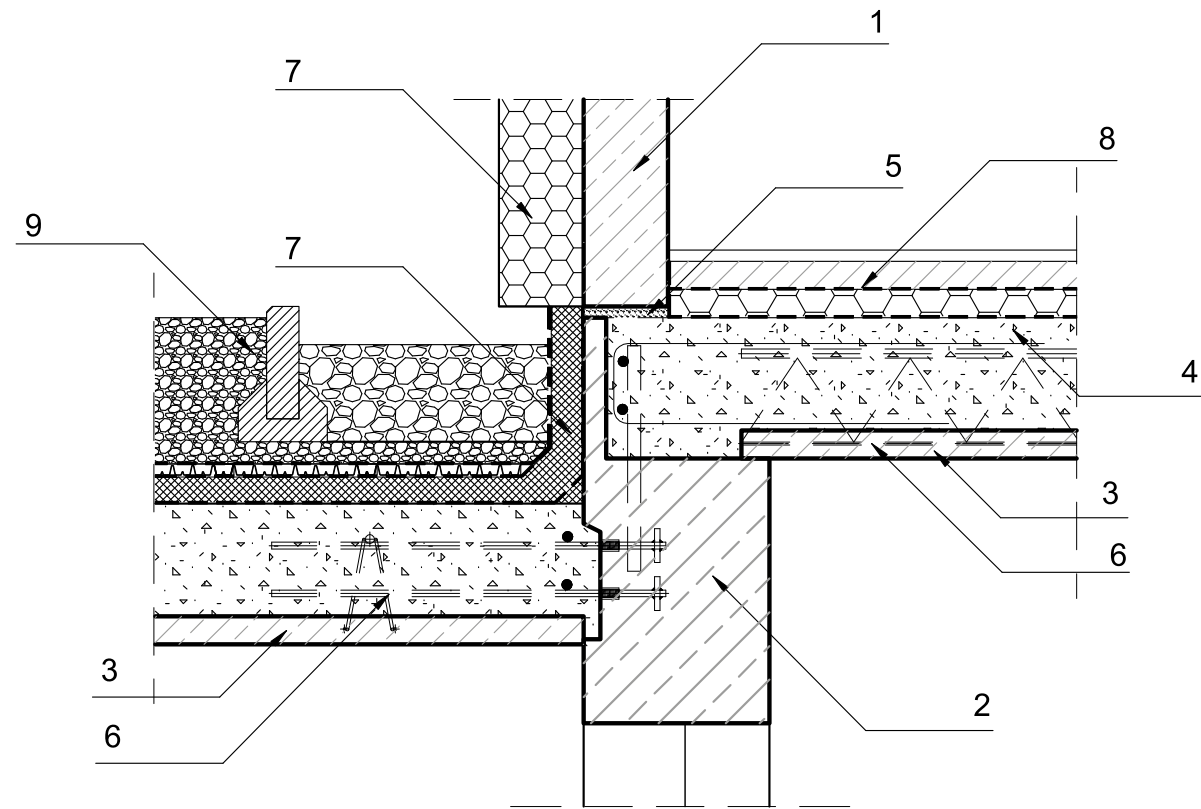
Technical Details Catalogue
 Residential Buildings

Joining an exterior pre-fabricated wall to the exterior area without subterranean levels: three-layer wall



PEKABEX System

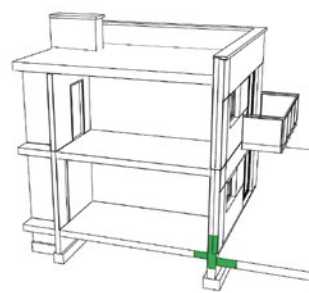
Z08_A



Key:

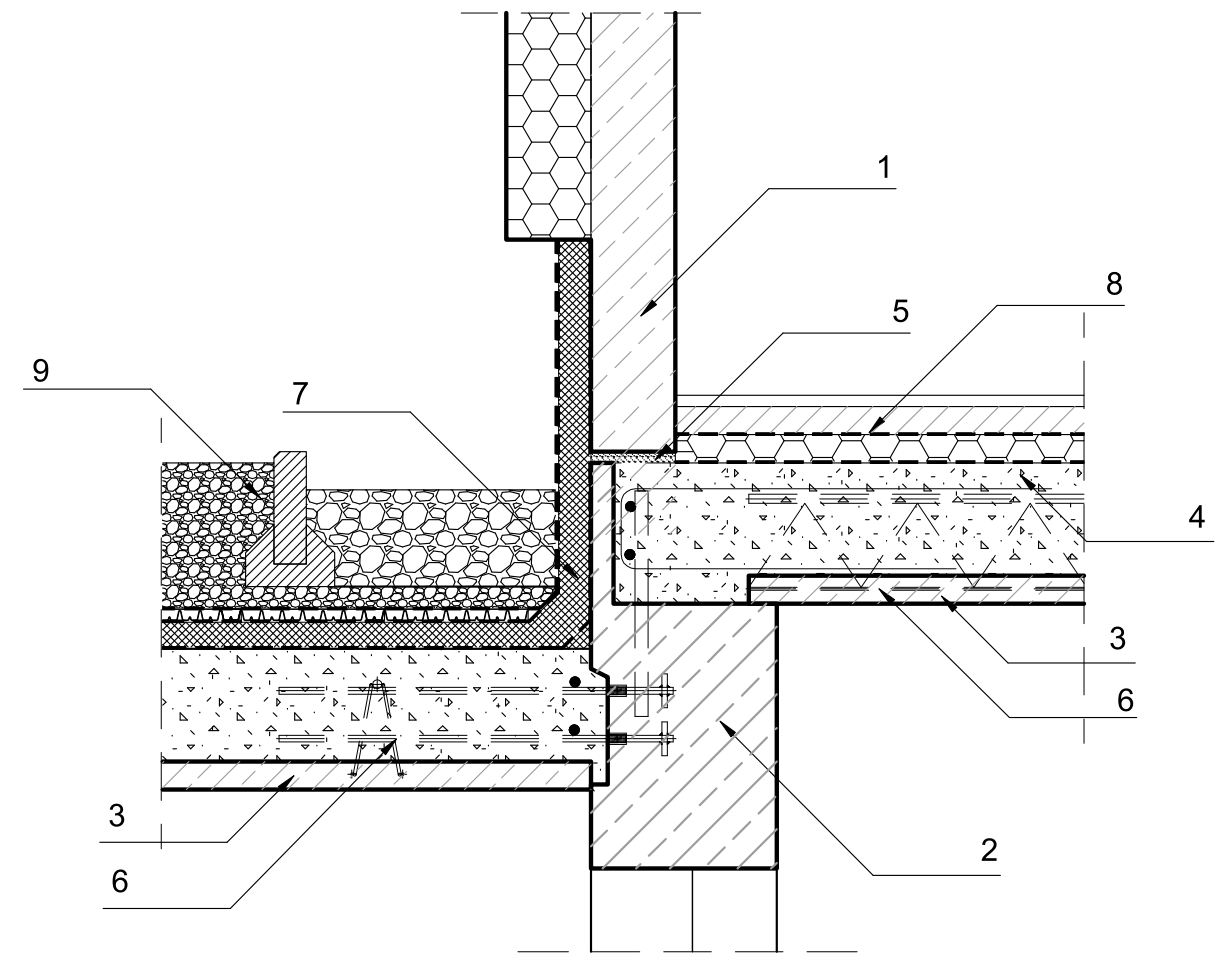
1. Single-layer prefabricated exterior wall
2. Prefabricated beam
3. Filigree slab
4. Concrete overlay
5. Mortar
6. Reinforcement
7. Thermal insulation added on site
8. Floor finishing layers
9. Layers of land

Joining an exterior pre-fabricated wall to the exterior area with a subterranean level: single-layer wall



PEKABEX System

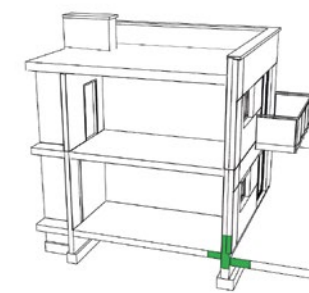
Z09_A



Key:

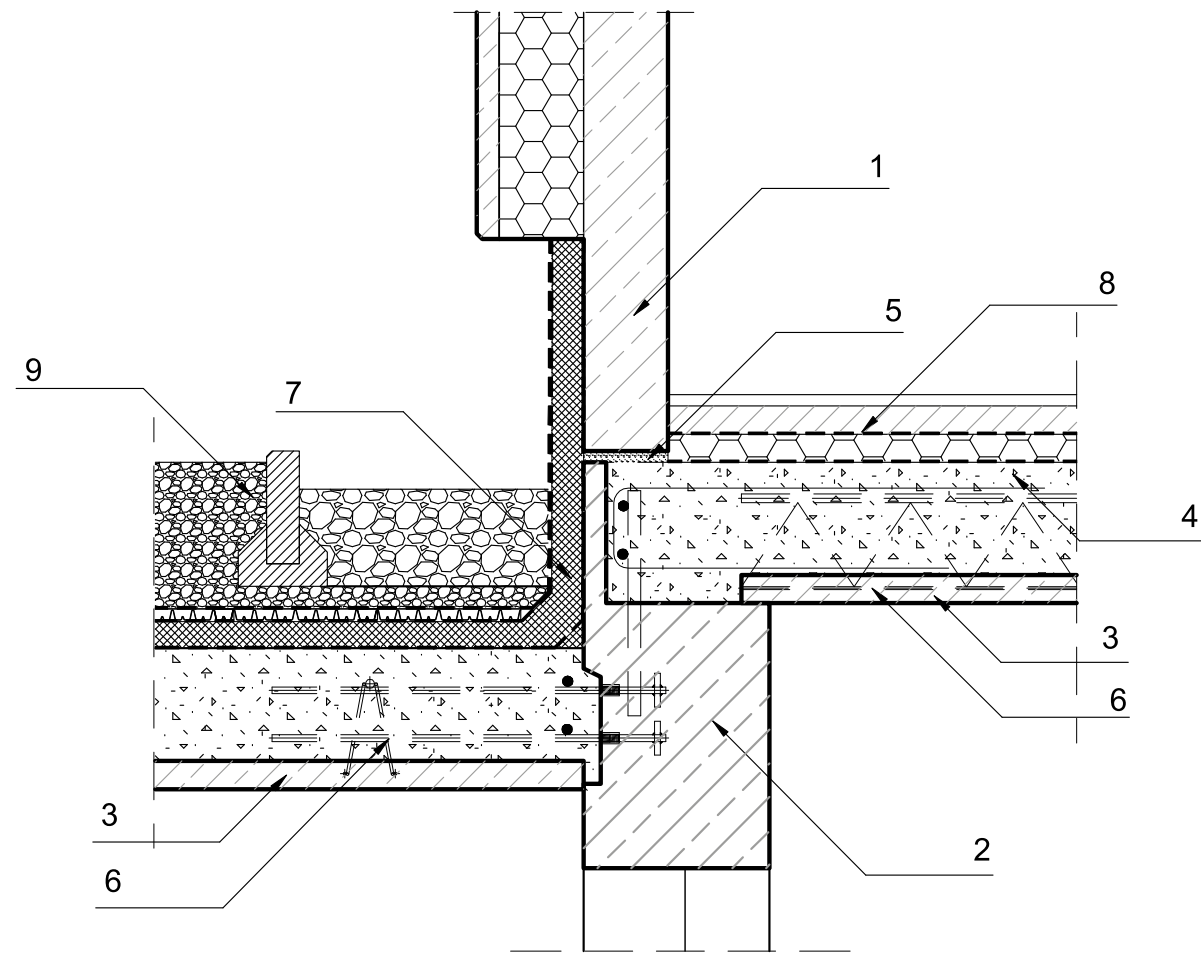
1. Double-layer prefabricated exterior wall
2. Beam
3. Filigree slab
4. Concrete overlay
5. Mortar
6. Reinforcement
7. Thermal insulation added on site
8. Floor finishing layers
9. Layers of land

Joining an exterior pre-fabricated wall to the exterior area with a subterranean level: double-layer wall



PEKABEX System

Z09_B

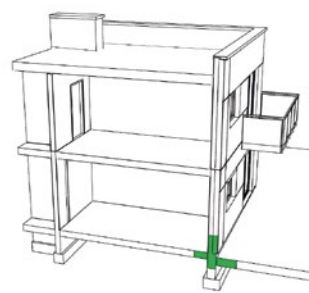


Key:

1. Three-layer prefabricated exterior wall
2. Beam
3. Filigree slab
4. Concrete overlay
5. Mortar
6. Reinforcement
7. Thermal insulation added on site
8. Floor finishing layers
9. Layers of land

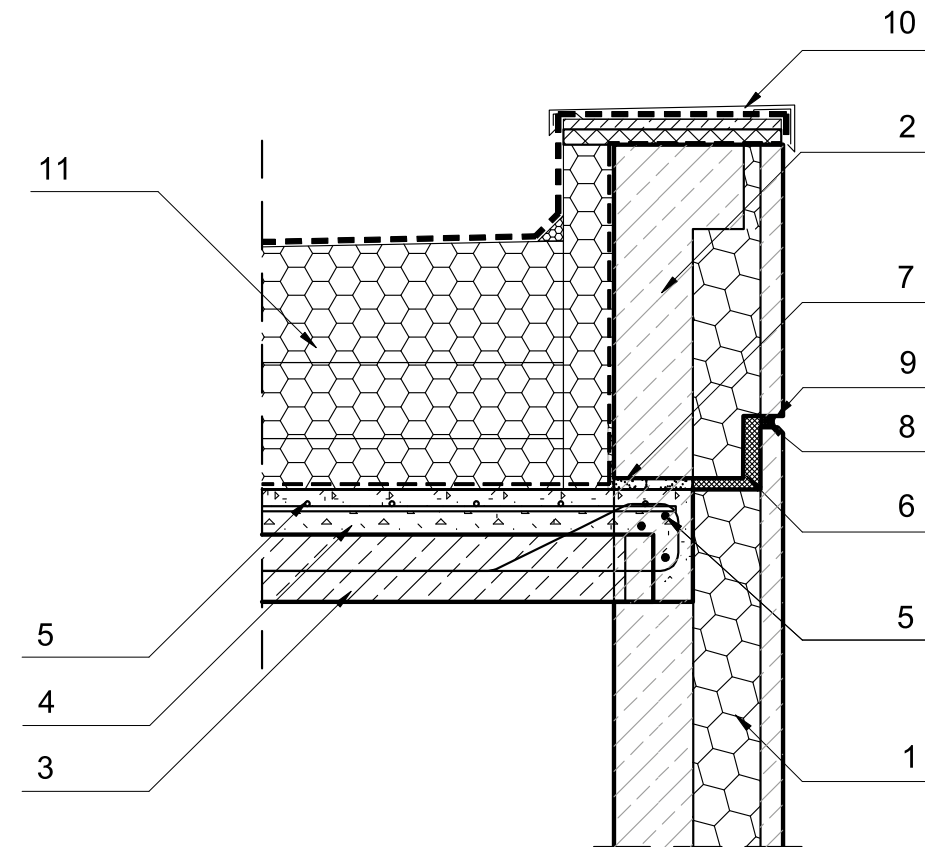
Technical Details Catalogue
 Residential Buildings

Joining an exterior pre-fabricated
 wall to the exterior area with a
 subterranean level: three-layer
 wall



**PEKABEX
 System**

Z09_C

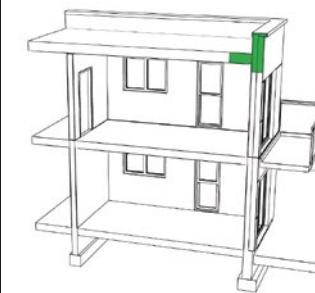


Key:

1. Three-layer prefabricated exterior wall
2. Prefabricated roof parapet
3. Floor slab
4. Concrete
5. Reinforcement
6. Thermal insulation added on site
7. Non-shrink mortar
8. Backing strip
9. Flexible putty
10. Cavity closer
11. Roof finishing layers

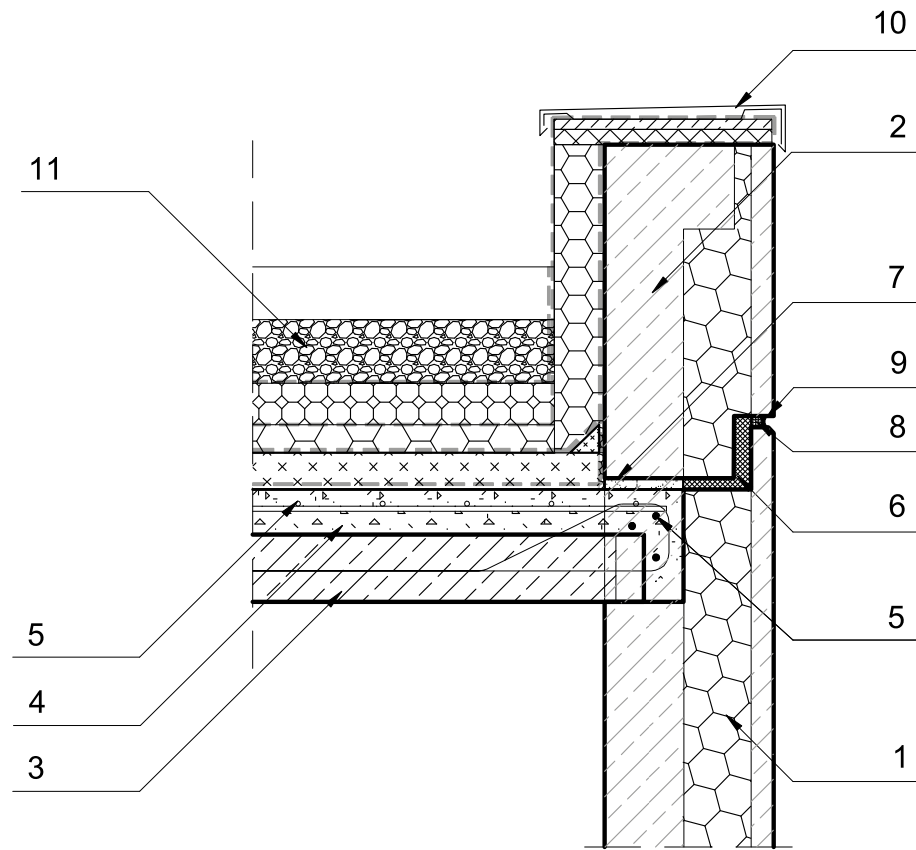
Technical Details Catalogue
 Residential Buildings

Joining the parapet to the roof:
 three-layer wall



**PEKABEX
 System**

Z10_A

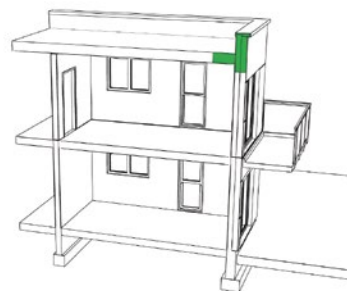


Key:

1. Three-layer prefabricated exterior wall
2. Prefabricated roof parapet
3. Floor slab
4. Concrete
5. Reinforcement
6. Thermal insulation added on site
7. Non-shrink mortar
8. Backing strip
9. Flexible putty
10. Cavity closer
11. Roof finishing layers

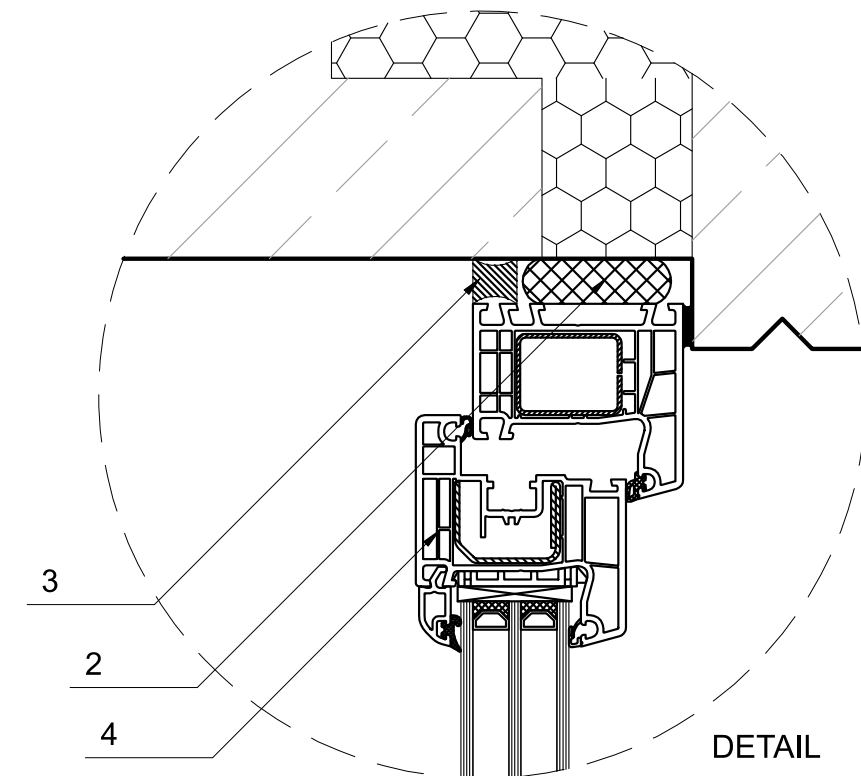
Technical Details Catalogue
 Residential Buildings

Joining the parapet to green roof
 slab: three-layer wall



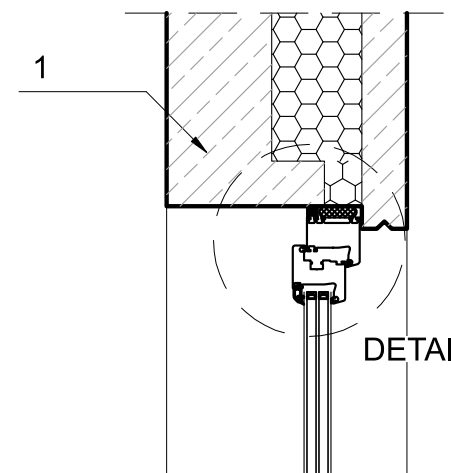
**PEKABEX
 System**

Z11_A



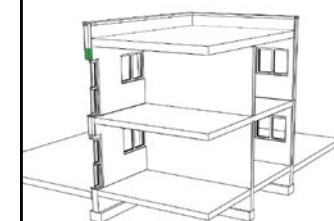
Key:

1. Exterior prefabricated wall three-layer wall
2. Insulation
3. Expanding tape
4. Window profile



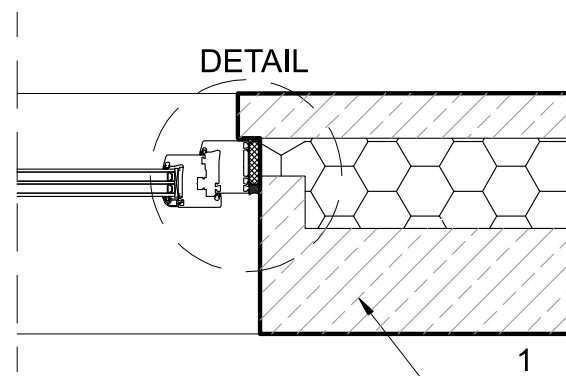
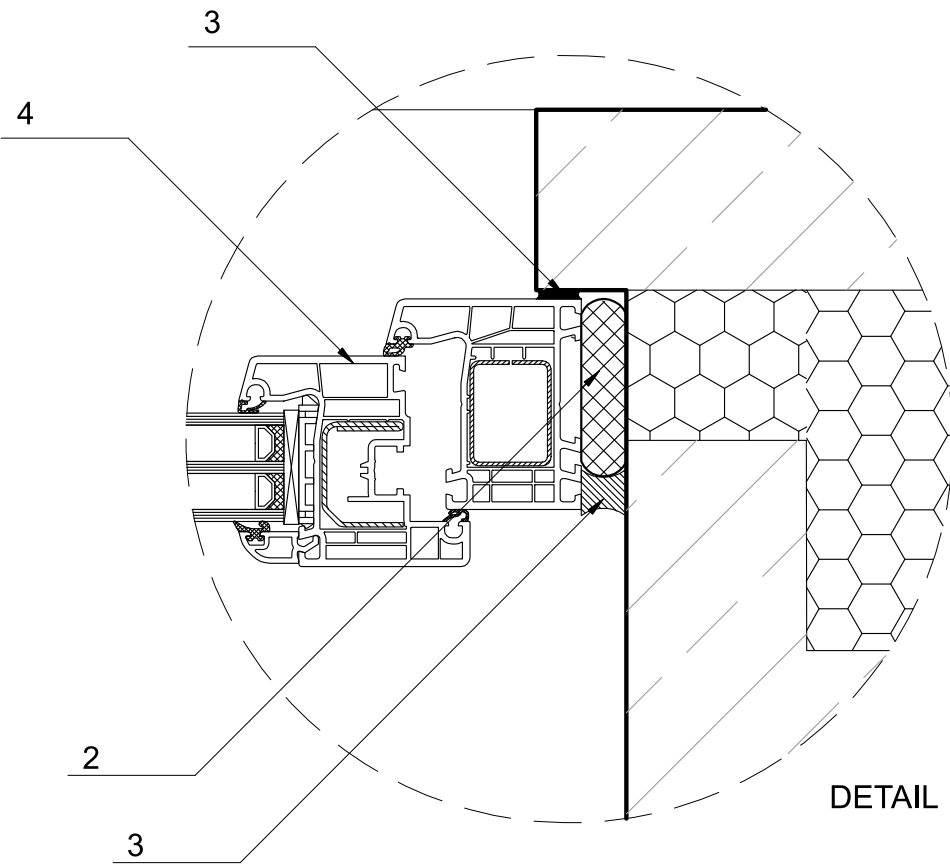
Technical Details Catalogue
 Residential Buildings

Joining a three-layer
 prefabricated exterior wall to
 a window: without shutters –
 vertical section view



**PEKABEX
 System**

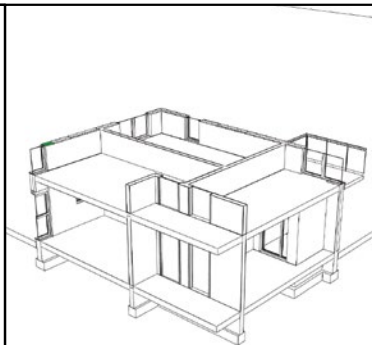
Z12_A



- Key:
1. Three-layer prefabricated exterior wall
 2. Insulation
 3. Expanding tape
 4. Window profile

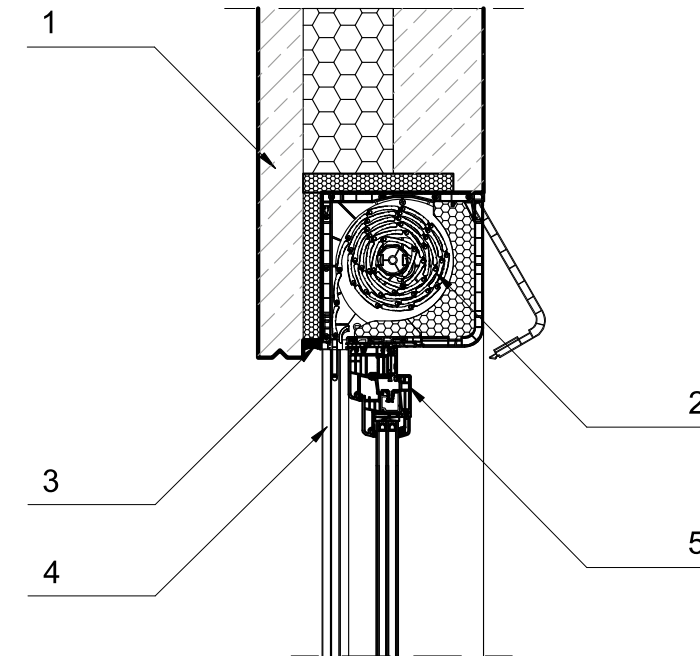
Technical Details Catalogue
 Residential Buildings

Joining a three-layer prefabricated
 exterior wall to a window:
 without shutters – horizontal
 section view



**PEKABEX
 System**

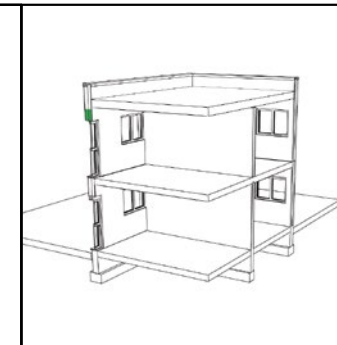
Z12_B



- Key:
1. Three-layer prefabricated exterior wall
 2. Roller blind
 3. Flexible sealant
 4. Roller blind guide
 5. Window profile

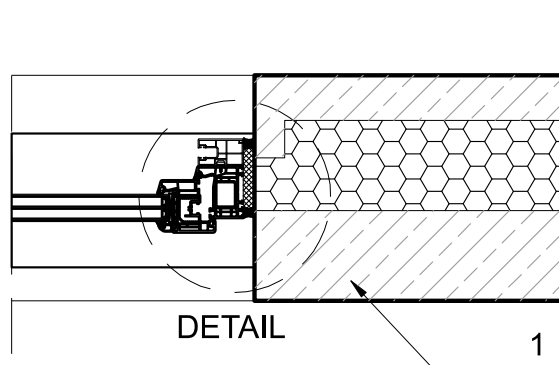
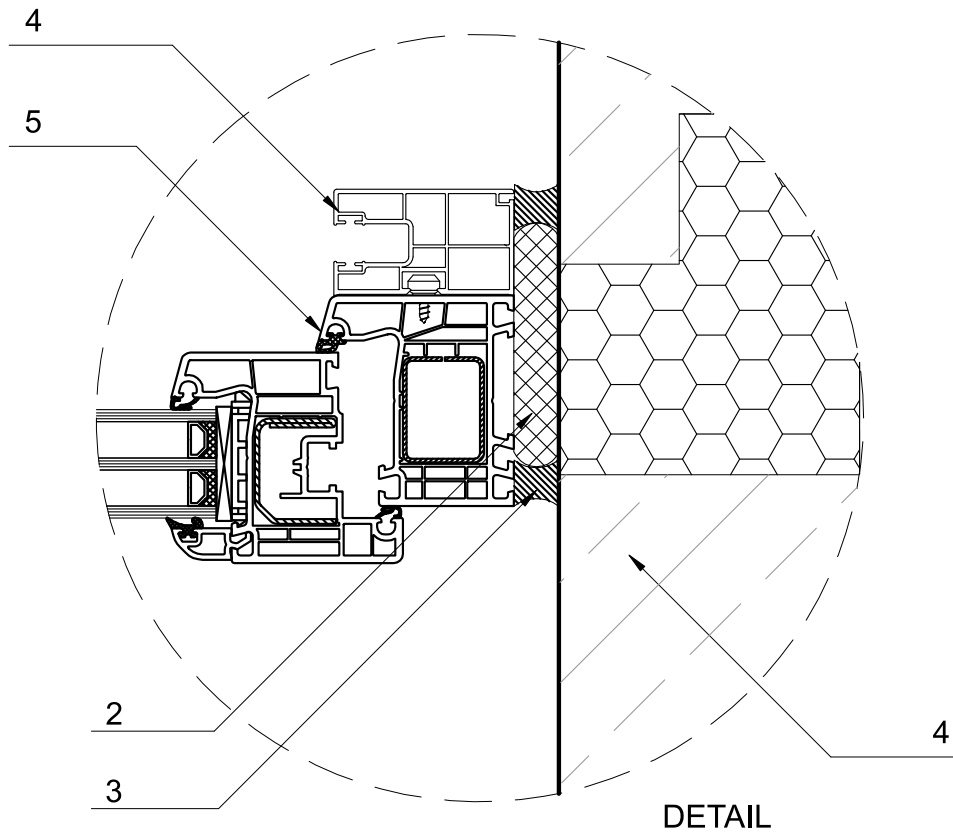
Technical Details Catalogue
 Residential Buildings

Joining a three-layer prefabricated
 exterior wall to a window:
 with concealed shutters – vertical
 section view



**PEKABEX
 System**

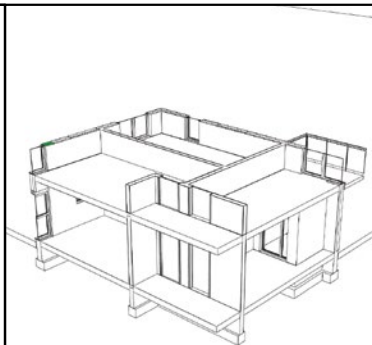
Z12_C



- Key:
1. Exterior prefabricated wall three-layer wall
 2. Insulation
 3. Expanding tape
 4. Roller blind guide
 5. Window profile

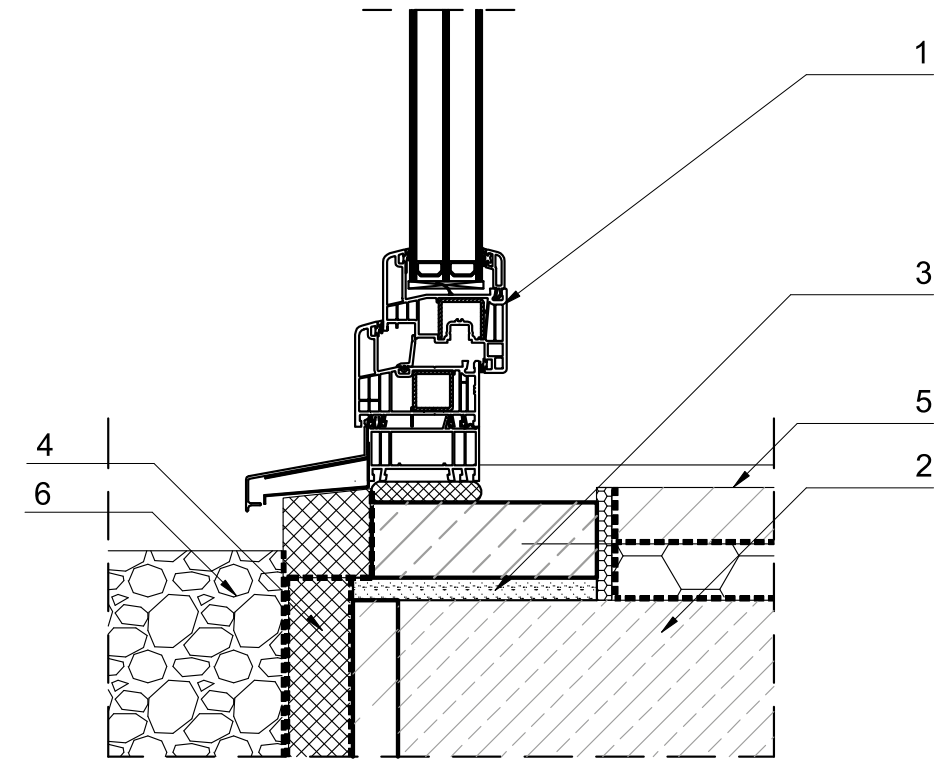
Technical Details Catalogue
 Residential Buildings

Joining a three-layer prefabricated exterior wall to a window: with concealed shutters – horizontal section view



PEKABEX System

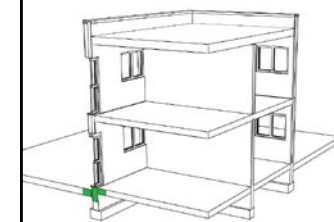
Z12_D



- Key:
1. Window joinery
 2. Floor slab
 3. Non-shrink mortar
 4. Thermal insulation added on site
 5. Floor finishing layers
 6. Layers of land

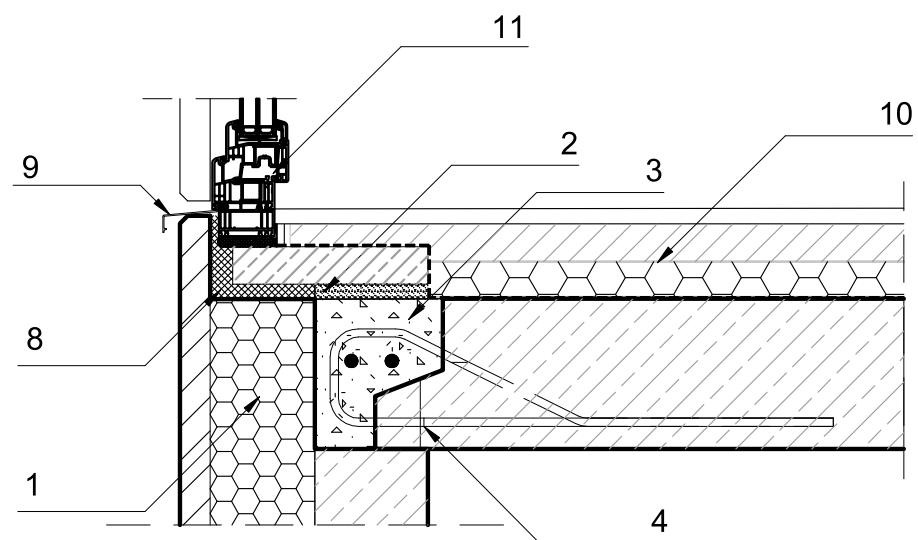
Technical Details Catalogue
 Residential Buildings

Joining a three-layer prefabricated exterior wall to window cavity closer: on ground floor



PEKABEX System

Z13_A

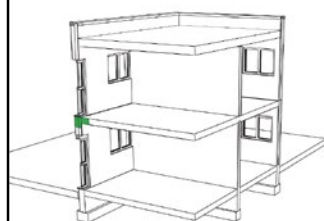


Key:

- 1. Exterior prefabricated wall
- 2. Non-shrink mortar
- 3. Concrete
- 4. Accessory
- 5. Caulking foam
- 6. Cover cap
- 7. Expanding tape
- 8. Mineral wool
- 9. Window sill
- 10. Finishing layers
- 11. Window joinery

Technical Details Catalogue
 Residential Buildings

Joining a three-layer prefabricated
 exterior wall to window cavity
 closer: upstairs



**PEKABEX
 System**

Z13_B

